



SONY
Image sensor technology

OSRAM
LED TECHNOLOGY INCLUDED

1080P
FULLHD

D1101KH CLASSIC

IP VIDEO DOOR STATION

Surface-mount • 1 Call Button • Keypad Module


Designed,
developed and
made in Germany

ANSWER YOUR DOOR ANYWHERE.

ADVANTAGES

HOW DOES IT WORK?

Imagine, you are not at home and your children have locked themselves out or the courier wants to deliver a parcel. With DoorBird this is no longer a problem. Every time someone rings the doorbell you will get a push notification on your smartphone or tablet. Via the DoorBird App you can talk to visitors and also see them live in HD quality. You will never miss a visitor again. With DoorBird you are on the move and yet at home, even if a burglar rings at the door to check if someone is at home.

SMART HOME STARTS AT THE FRONT DOOR

DoorBird is the smart solution for your house entrance. Simply connect your DoorBird IP Video Door Station to your smartphone and talk to your visitor - anywhere you are. The IP Video Door Station can be used as a stand-alone unit or can be integrated into an existing Smart Home platform. Even existing classic installations such as an electric door opener can still be used and controlled via the DoorBird App.

QUALITY MADE IN GERMANY

All DoorBird products are designed, developed and produced by Bird Home Automation Group in Berlin, Germany. We manufacture all products with the greatest care and precision, and deliver them to our customers all over the world.



Open API

- Local interface for integration with third-party systems and SIP



Video and audio call

- On smartphones, tablets (iOS, Android), IP and landline phones (SIP)



Smart Transmission Mode (STM)

- Real-time audio / video communication, optimized for mobile devices via WiFi, 3G, 4G, 5G



Smart Home & NVR compatible

- Control4, Loxone, Crestron, Synology, AVM FRITZ!Fon, URC, QNAP, RTI, ELAN, Fibaro, Bang & Olufsen and others



Automatic door buzzer

- For use in medical offices and office environments

HD HDTV Video

- Ultra wide-angle, hemispheric lens, 180°

4D Motion sensor with 4D technology

- Distance up to 6 m (19.7 ft) adjustable via App (interval: 1 m/3.3 ft)



Free visitor history

- Store still images for free, optional video recording available



Light sensor

- For night vision mode



Noise reduction and echo cancellation (AEC, ANR)



Individual action schedules, e.g.:

- Trigger relay 1 for automatic door release Mo-Fr from 9 am until 4 pm when the call button is pressed
- 4D motion sensor switches on external lamp between 9 pm and 6 am



One freely configurable bistable latching relay

- Control one door or one gate via App
- Status configurable via App: temporary or permanent circuit



Keypad Module

- Configurable via App
- More than 1000 individual PIN codes
- Individual events (e.g. switch a relay, HTTP(s) requests)



Geofencing

- Automatic door and gate opening when returning home



Easy self-install

- Quick installation via QR code scan



Easy connection to the network

- Connection via a network cable or bell wire via 2-Wire Ethernet PoE Converter "DooBird A1071" (PoE, network data)



Night vision

- With Infrared LEDs



Configurable stainless steel button

- With illuminated LED ring



Microphone

- Clear voice transmission

| GENERAL | |
|----------------------------|--|
| Front panel | 3 mm (0.12 in) Available in brushed stainless steel V2A / V4A |
| Mounting housing (backbox) | Stainless steel |
| Mounting type | Surface-mounted, flush-mounted version sold separately |
| Call button | Stainless-steel button with illuminated LED Ring |
| Keypad Module | 12 keys, illuminated, configurable via App, e.g. <ul style="list-style-type: none"> • Individual PIN codes • Individual events (e.g. switch a relay, HTTP(s) request) • Individual schedules • Up to 1000 PIN codes manageable |
| Power supply | 15 V DC (max. 15 W) or Power over Ethernet (PoE 802.3af Mode-A) |
| Weight | 2430 g |
| Connectors | <ul style="list-style-type: none"> • LAN/PoE (T+, T-, R+, R-) • Bistable latching relay, max. 1-24 V DC/AC, 1 A, e.g. for electric door opener • External input for external door opener button • 15 V DC input (+, -), max. 15 W |
| Weatherproof | Yes, IP65 |
| Approvals | IP65, CE, FCC, IC, RoHS, REACH, IEC/EN 62368, IEC/EN 62471 |
| Dimensions | 182,00 x 219,00 x 72,50 mm (H x W x D) 7.17 x 8.62 x 2.85 in (H x W x D) |
| Operating conditions | -25 to +55°C / -13 to 131 °F Humidity 10 to 85 % RH (non-condensing) |
| Scope of delivery | 1x Main Electrical Unit 1x Front panel 1x Surface-mounting housing (backbox) 1x Power supply unit (mains adaptor) with up to 4 country-specific outlet adaptors (110 - 240 V AC to 15 V DC) 1x RJ45 adapter 1x Screwdriver 1x Quickstart guide with Digital Passport 1x Installation manual 1x Small parts |
| Warranty | see www.doorbird.com/warranty |

CURRENT SYSTEM REQUIREMENTS

| | |
|---------------------------------|---|
| System requirements | Mobile device: Newest iOS on iPhone/iPad, newest Android on Smartphone/Tablet Internet: High-Speed Landline Broadband Internet connection, DSL, cable or fiber optic, no socks or proxy server Network: Ethernet Network, with DHCP |
| Recommended installation height | Camera lens should be at a min. height of 145 cm (57 in). Before the installation please determine your optimal installation height. |

VIDEO

| | |
|--------------|--|
| Camera | HDTV 1080p, dynamic (VGA - HDTV) |
| Lens | High-end ultra wide-angle hemispheric lens 180° (D), 150° (H), 82° (V), straightened, IR-capable |
| Night vision | Yes, light sensor, automatic IR-cut filter, Infrared LEDs (850 nm) |

AUDIO

| | |
|------------------|--|
| Audio components | Speaker and microphone, noise reduction and echo cancellation (ANR, AEC) |
| Audio streaming | Two-way, full duplex |

NETWORK

| | |
|---------------------|--|
| Ethernet | PoE 802.3af Mode-A, 10/100 Base-T |
| Supported protocols | HTTP, HTTPS, SSL/TLS, Bonjour, DNS, RTSP, RTP, TCP, UDP, RTCP, ICMP, DHCP, ARP, SIP, DTMF (RTP [RFC-2833], SIP INFO [RFC-2976]), STM |

MOTION SENSOR

| | |
|-----------------|--|
| Type | Active |
| Detection angle | 80° (H), 50° (V) |
| Range | 1 - 6 m (3.3 - 19.7 ft), depends on environment, configurable in 1 m (3.3 ft) steps. |
| Technology | 4D. Based on multiple integrated sensors and algorithms, e.g. Radio Frequency Energy (RFE) |
| Configuration | Via App, e.g. <ul style="list-style-type: none"> • Range (1 - 6 m / 3.3 - 19.7 ft) • Movement direction (coming, leaving, both) • Individual events (e.g. switch a relay, push notification, SIP call [audio/video], HTTP(s) requests) • Individual schedules |

INTEGRATED WIRELESS MODULES

| | |
|-----------|---|
| Bluetooth | Bluetooth Low Energy (BLE), enabled with future firmware and App update |
| Sensor | 24 GHz, can be disabled |

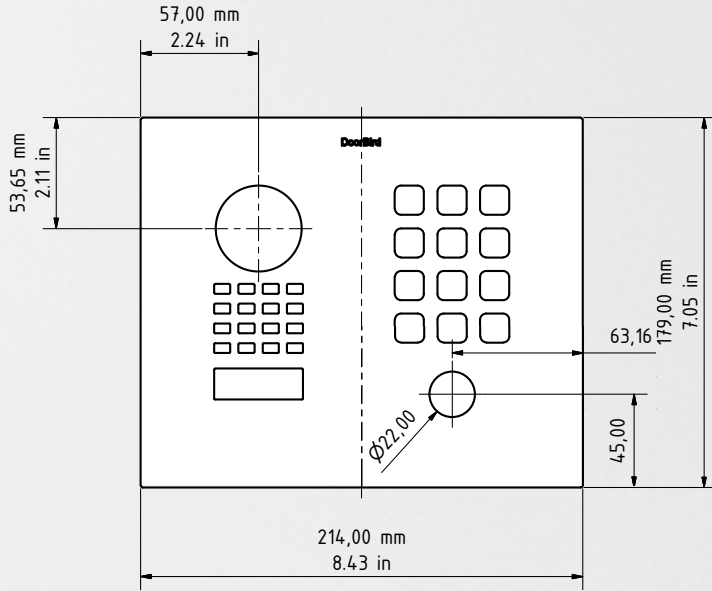
THIRD-PARTY INTEGRATION (DOORBIRD CONNECT)

| | |
|----------------------------|--|
| Partner integrations | see www.doorbird.com/connect |
| API | see www.doorbird.com/api |
| Simultaneous video streams | One, for event-based recording |

OPTIONAL ACCESSORIES

| | |
|-----------------|--|
| Sold separately | see www.doorbird.com/buy |
|-----------------|--|

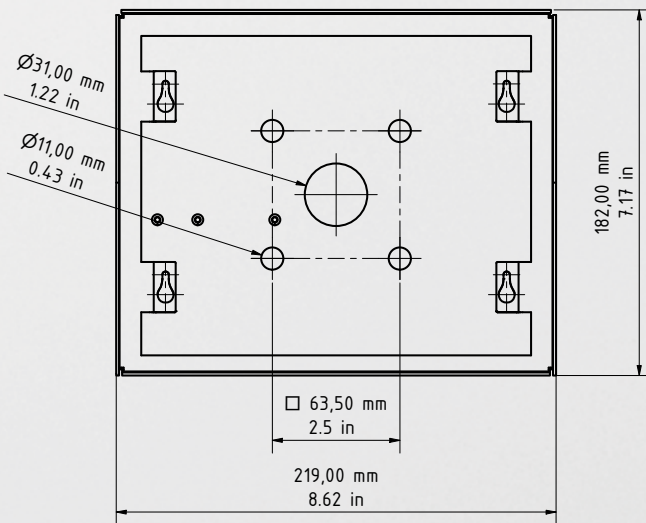
Front panel material thickness: 3.0 mm (0.12 in)



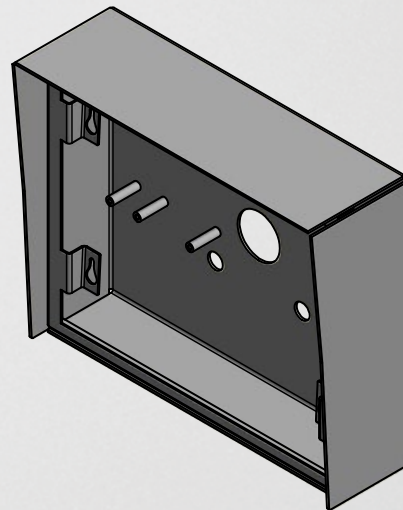
Front panel



Housing (backbox)



Housing (backbox)





DoorBird

