



Page 2-13
Installation Manual
Smart Door Controller
D410



Seite 14-25
Installationsanleitung
Smart Door Controller
D410



Page 26-37
Manuel d'installation
Commande de porte
intelligente D410



Páginas 38-50
Manual de instalación
Controlador de puerta
inteligente D410



Pagina 51-62
**Istruzioni per
l'installazione**
Controllore Porta D410

D410

INSTALLATION MANUAL

Read these instructions carefully before starting to use any components. Keep the manual so you can refer to it at a later date if required. If you hand over the device to other persons for use, please hand over the operating manual as well.

You can always find the most up-to-date version of the installation manual on www.doorbird.com/support. To make things easier we use the term "device" for the product "Smart Door Controller D410" and "mobile device" for a smartphone or tablet.

Liability

Every care has been taken in the preparation of this document. Please inform Bird Home Automation GmbH of any inaccuracies or omissions. Bird Home Automation GmbH cannot be held responsible for any technical or typographical errors and reserves the right to make changes to the product and manuals without prior notice. Bird Home Automation GmbH makes no warranty of any kind with regard to the content of this document, including, but not limited to, the implied warranties of merchantability and fitness for a particular purpose. Bird Home Automation GmbH shall neither be liable nor responsible for incidental or consequential damages in connection with the furnishing, performance or use of this material. This product is only to be used for its intended purpose.

Equipment Modifications

This equipment must be installed and used in strict accordance with the instructions given in the user documentation. This equipment contains no components that require service by the user. Unauthorized equipment changes or modifications will invalidate all applicable regulatory certifications and approvals.

Symbols used



Danger: Indicates a hazardous situation which, if not avoided, will result in death or serious injury.



Warning: Indicates a hazardous situation which, if not avoided, could result in death or serious injury.



Caution: Indicates a hazardous situation which, if not avoided, could result in minor or moderate injury.



NOTICE **Notice:** Indicates a situation which, if not avoided, could result in damage to property.



Important: Indicates significant information which is essential for the product to function correctly.



Note: Indicates useful information which helps in getting the most out of the product.

Hazard information



WARNING

- Mounting, installation and servicing work on electrical devices may only be performed by a qualified electrician. Failure to observe this regulation could result in the risk of serious damage to health or fatal injury due to electric shocks.
- Devices with 110-240 V connection: The device may only be connected to an easily accessible power socket outlet. The mains adapter must be pulled out if a hazard occurs.
- For power supply, only use the original plug-in mains adapter delivered with the device, separately available DIN rail power supplies or a recommended PoE-Switch/PoE-Injector as specified in this manual.
- Because of electrostatic charging, direct contact with the circuit board can result in destruction of the device. Direct contact with the circuit board must therefore be avoided at any time.
- Observe the EN 60065 resp. EN 60950 resp. EN 62368 standard.
- Do not use the device if there are signs of damage to the housing, control elements or connecting sockets, for example, or if it demonstrates a malfunction. If you have any doubts, please have the device checked by an authorized expert.
- Do not open the device. This voids the warranty of the device. The device does not contain any parts that can be maintained by the user. In the event of an error, please have the device checked by an authorized expert.
- For safety, approval and licensing reasons (CE/FCC/IC etc.), unauthorized change and/or modification of the device is not permitted.
- The device is not a toy: do not allow babies and children to play with it.
- To avoid the danger of suffocation, keep any packing materials away from babies and children. Plastic films/bags, pieces of polystyrene, etc. are not a toy and can be dangerous in the hands of a child. Discard any packing materials immediately after removing the product. Do not reuse packing materials.
- Always lay cables in such a way that they do not become a risk to people and domestic animals.
- Voltage is applied to parts within the equipment. Do not touch any parts that are not associated with the installation, wiring, or connection. Electric shock could result.
- On devices which are not marked as weather-proof: Keep the device away from water or any other liquid.
- Do not install or make any wire terminations while power supply is plugged in. It can cause electric shock or damage to the device.

**WARNING**

- Before turning on power, make sure wires are not crossed or shorted. If not, fire or electric shock could result.
- High voltage may be present internally. Do not open the device. Electric shock could result.
- The device is not of explosion-proof. Do not install or use near gases or flammable materials. Fire or explosion could result.
- Do not install two power supplies in parallel to a single input. Fire or damage to the device could result. Be sure to connect a single power supply to the device.
- Do not connect any terminal on the device to an AC power line. Fire or electric shock could result.
- Keep AC cord from being marred or crushed. If the AC cord is fractured, fire or electric shock could result.
- Do not plug or unplug with wet hands. Electric shock could result.
- Do not put any metal or flammable material into the device. Fire, electric shock, or device trouble could result.
- Existing wiring may contain high voltage AC electricity. Damage to the device or electric shock could result. Wiring and installation must be done by a qualified electrician.
- When mounting the device on a wall or ceiling, install the device in a convenient location, but not where it could be jarred or bumped. Injury could result.
- On devices with ground terminals, connect to an earth ground. Otherwise fire or malfunction could result.
- On devices with plastic or real glass, do not put high pressure on the glass. If fractured, injury could result.
- On devices with LCD, if LCD is punctured, do not allow contact with the liquid crystal inside. Injury could result. If necessary, gargle your mouth and clean your eyes or skin with clear water for at least 15 minutes and consult your doctor.
- Do not put anything on the device or cover the device with cloth, silicone, glue, coating, separate covering etc. Fire or device issues could result.
- Do not install the device in any of the following locations. Fire, electric shock, or device trouble could result.
 - Places under direct sunlight or places near heating equipment that varies in temperature.
 - Places subject to dust, oil, chemicals, hydrogen sulfide (hot spring).
 - Places subject to moisture and humidity extremes, such as bathrooms, cellars, greenhouses, etc.
 - Places where the temperature is very low, such

as inside a refrigerated area or in front of an air conditioner.

- Places subject to steam or smoke (e.g. near heating or cooking surfaces).
- Where noise generating devices such as dimmer switches or inverter electrical appliances are close by.
- Locations subject to frequent vibration or impact.
 - On devices with intercom, be sure to perform a call test with low audio volume on both intercom devices. A sudden call etc. may arrive causing for example damage to your ear.
 - If the device does not operate properly, unplug the power supply.
 - All devices which are not marked as weather-proof are designed for indoor use only. Do not use outdoor.
 - On devices which are marked weather-proof. Do not spray with high-pressure water. Device issues could result.
 - We do not assume any liability for damage to property or personal injury caused by improper use or the failure to observe the hazard information. In such cases, any claim under warranty ceases. For consequential damages, we assume no liability!
 - For devices that are supplied with a power supply unit: In accordance with Article 33 of the REACH Regulation (Regulation (EC) No. 1907/2006), we inform you that the metal contact of the plug pin of the mains adapter contains a concentration of >0.1% of the substance EC / List no.: 231-100-4 (lead) listed in the REACH Regulation. When used as intended, no measures are required to be able to use the product safely due to the lead concentration.

Safety instructions

- The device shall be used in compliance with local laws and regulations.
- Store the device in a dry and ventilated environment.
- Avoid exposing the device to shocks or heavy pressure.
- Do not install the device on unstable brackets, surfaces or walls. Make sure the material is strong enough to support the weight of the device.
- Use only applicable tools when installing the device. Using excessive force with tools could cause damage to the device.
- Do not use chemicals, caustic agents, or aerosol cleaners.
- Use a clean dry cloth for cleaning.
- Use only accessories that comply with technical

specification of the device. These can be provided by Bird Home Automation GmbH.

- Use only spare parts provided by or recommended by Bird Home Automation GmbH.
- Do not attempt to repair the device by yourself. Contact Bird Home Automation GmbH for service matters.
- Keep the device more than 1 m (3.3') away from microwave, radio, TV, wireless router and any other wireless devices.
- On devices with intercom or built-in speaker or built-in microphone or signal transmission functions, keep the wires more than 30 cm (12") away from AC 100-240 V wiring. AC induced noise and/or device malfunction could result.
- Install the device in an area that will be accessible for future inspections, repairs and maintenance.
- If the device is used close to a cellular phone, the device may malfunction.
- The device can be damaged if dropped. Handle with care.
- The device turns inoperative during power failure.
- On devices with intercom or built-in speaker or built-in microphone, in areas where cellular or Radio / TV broadcasting station antennas are close by, the device may be affected by radio frequency interference.
- On devices with LCD screen, it must be noted in advance that the LCD panel, though manufactured with very high precision techniques, inevitably will have a very small portion of its picture elements always lit or not lit at all. This is not considered a device malfunction.
- On devices with intercom, due to the environmental sound around the device, it may hinder smooth communication, but this is not a malfunction.
- On devices with Username/Password, the Username/Password to access the device is the customer's responsibility. Make sure to use a password that cannot be easily guessed by a third party. We recommend that you change the Password on a regular basis.
- We will, under no circumstances, be liable for damage that occurs due to failures in power supply, network equipment or terminal devices; failures due to Internet providers and cellular network providers; failures such as disconnected lines and other losses in communication, which makes it impossible to provide this service as well as in any way delay this service due to any other causes outside of our responsibility; or if an error or missing data occurs during transmission.

FCC Caution:

Any Changes or modifications not expressly

approved by the party responsible for compliance could void the user's authority to operate the equipment. This device complies with part 15 of the FCC Rules. Operation is subject to the following two conditions: (1) This device may not cause harmful interference, and (2) this device must accept any interference received, including interference that may cause undesired operation.

Note: This equipment has been tested and found to comply with the limits for a Class B digital device, pursuant to part 15 of the FCC Rules. These limits are designed to provide reasonable protection against harmful interference in a residential installation. This equipment generates, uses and can radiate radio frequency energy and, if not installed and used in accordance with the instructions, may cause harmful interference to radio communications. However, there is no guarantee that interference will not occur in a particular installation. If this equipment does cause harmful interference to radio or television reception, which can be determined by turning the equipment off and on, the user is encouraged to try to correct the interference by one or more of the following measures:

- Reorient or relocate the receiving antenna.
- Increase the separation between the equipment and receiver.
- Connect the equipment into an outlet on a circuit different from that to which the receiver is connected.
- Consult the dealer or an experienced radio/TV technician for help.

This equipment complies with FCC radiation exposure limits set forth for an uncontrolled environment. This transmitter must not be co-located or operating in conjunction with any other antenna or transmitter.

IC Statement

EN: This device complies with Industry Canada license-exempt RSS standard(s). Operation is subject to the following two conditions:

- (1) this device may not cause interference, and
- (2) this device must accept any interference, including interference that may cause undesired operation of the device.

This Class B digital apparatus complies with Canadian ICES-003.

IC radiation exposure: This equipment complies with ISED radiation exposure limits defined for a controlled environment. This transmitter must not be co-located or operated in conjunction with any other antenna or transmitter.

FR: Le présent appareil est conforme aux CNR

d'Industrie Canada applicables aux appareils radio exempts de licence. L'exploitation est autorisée aux deux conditions suivantes:

- (1) l'appareil nedoit pas produire de brouillage, et
- (2) l'utilisateur de l'appareil doit accepter tout brouillage radioélectrique subi, même si le brouillage est susceptible d'en compromettre le fonctionnement.

Cet appareil numérique de la classe B est conforme à la norme NMB-003 du Canada.

IC exposition aux radiations: Cet équipement est conforme avec ISEDC les limites d'exposition aux rayonnements définies pour un contrôlé environnement. Cet émetteur ne doit pas être co-localisés ou fonctionner en conjonction avec une autre antenne ou émetteur.

Transportation



When transporting the device, use the original packaging or equivalent to prevent damage to the device.

Warranty Information

For information about the device warranty, see www.doorbird.com/warranty



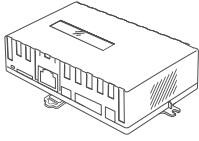
Information on disposal for users of waste electrical & electronic equipment (private household)

This symbol on the products and/or accompanying documents means that used electrical and electronic products should not be mixed with general household waste. For proper treatment, recovery and recycling, please take these products to designated collection points, where they will be accepted on a free of charge basis. Alternatively, in some countries you may be able to return your products to your local retailer upon the purchase of an equivalent new product. Disposing of this product correctly will help to save valuable resources and prevent any potential negative effects on human health and the environment which could otherwise arise from inappropriate waste handling. Please contact your local authority for further details of your nearest designated collection point. Penalties may be applicable for incorrect disposal of this waste, in accordance with national legislation.

Information on disposal in other countries outside the European Union

This symbol is only valid in the European Union. If you wish to discard this product, please contact your local authorities or dealer and ask for the correct method of disposal.

COMPONENTS



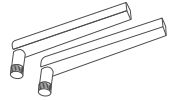
1x D410 Smart Door Controller



1x Installation manual



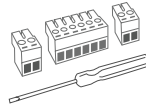
1x Quickstart guide with Digital Passport



2x LTE/4G Antenna



1x Power supply unit (mains adapter) with up to four country-specific adaptors



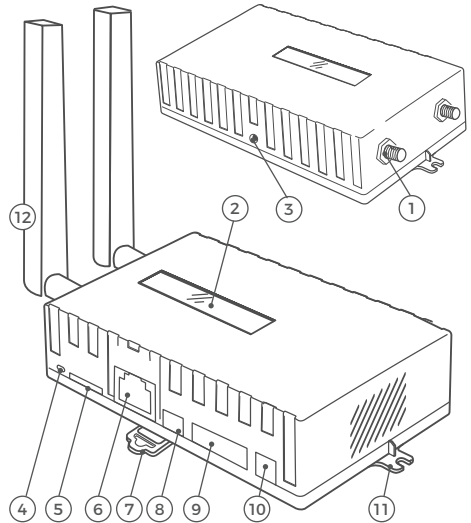
3x Screw connection terminal plugs and
1x Screw driver



2x Phillips countersunk head screws and dowels

DEVICE

- 1) Antennas
2x SMA connector for LTE/4G antennas
- 2) LCD Status display
Blue backlit LCD display for status and quick error analysis
- 3) SET setup button
Button to set the device into different configuration modes, e.g. to reset the device to factory defaults
- 4) PWR LED
Power and diagnostic LED to display the current status of the device
- 5) SIM Card Slot
Micro SIM Card slot (SIM card not included)
- 6) LAN/PoE
If not used with LTE/4G mobile network: RJ45 jack for connecting a network cable (Cat.5 or better) with the network segment that is attached to the switch/router that provides an active Internet connection. Use this port to power the device with PoE as an alternative to the power supply
- 7) DIN Rail connector
Connection for DIN rail clip for DIN rail mounting
- 8) E1 E1
Screw terminal plug for connecting one external input
- 9) R1R1 / R2 R2 / R3 R3
Screw terminal plug connecting to three bi-stable latching relay (max. 24 V DC/AC, 1A)
- 10) 15VDC +/- power supply, 1A
Screw terminal plug for connecting a DoorBird power supply (available separately) to the device as an alternative to PoE
- 11) Wall mounting brackets
Holder for wall mounting. Screws and dowels included
- 12) LTE/4G antennas



VIDEOS

Need help with the installation? Be sure to watch our installation videos which can be found on <http://www.doorbird.com/support>

INSTALLATION

All the steps below should be carried out carefully by a competent adult, taking into consideration any applicable safety regulations. Please contact us directly or seek the advice of a competent specialist.



Please ensure that all wires used for the installation are undamaged along their entire length and approved for this type of use.

1

SWITCHING OFF POWER



Switch off the power to all wires leading to the assembly location, i.e. the door chime, electric door opener, power supply unit for the device etc.

3

MOUNTING THE DEVICE

The device can be mounted on the wall using the wall mount bracket, screws and dowels supplied with it or on DIN-Rail using the DIN-Rail adapter supplied with it.

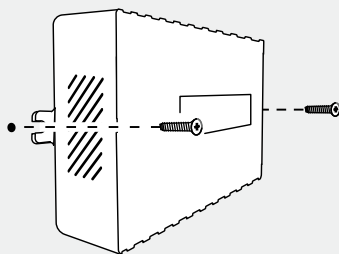
Option 1

WALL MOUNTING



Ensure to hit no objects (e.g. cables) when drilling the holes.

If the wall of the house is not made of wood, you should drill dowel holes 5 mm in diameter in the wall and then place the dowels provided into the boreholes. If the wall of the house is made of wood, you will usually not require any dowels. There are special dowels for assembling the device on an insulating wall, e.g. Fischer insulating dowels. Please check with your insulating material manufacturer regarding which dowels they recommend.



Network speed and network components

Please ensure that the upload speed of your Internet connection is at least 0.5 Mbps. The user experience is only as good as your network speed, network stability and quality of your network components, such as your Internet Router and WiFi access points or WiFi repeaters. Please also make sure that your network components are no older than two years old, have been manufactured by a well-known manufacturer, and have the latest firmware installed.

Should these requirements not be fulfilled, it may occur, for example that the performance of audio and video is poor or push notifications are delayed or do not arrive on your smartphone or tablet at all.

Requirements:

High-speed Internet (via landline); DSL, cable or optical fibre

Network: Ethernet with DHCP

2

DETERMINING THE ASSEMBLY LOCATION



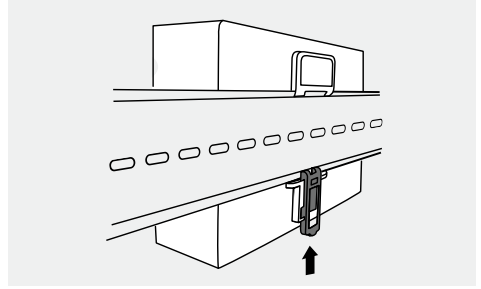
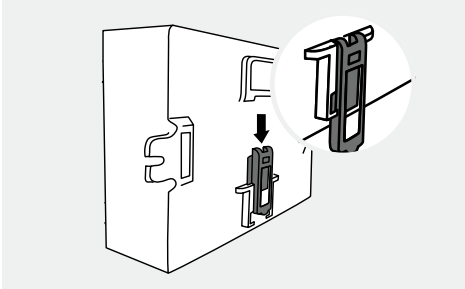
The device is IP30 certified (not water-proof). Please make sure to put the device into an suitable non mobile radio interfering housing if you want to use it outdoors.

The network cable between the device and the PoE-Switch/PoE-Injector/Internet Router can have a maximum length of 80 meters/262 feet.

Option 2

DIN-RAIL MOUNTING

The device can be mounted on DIN-Rail. Use the DIN rail adapter on the back of the unit.



4

POWER SUPPLY

The device can be powered using PoE (Power over Ethernet) or separately available DoorBird power supplies (Wall-Plug power supply unit or DIN rail power supply). The device does not use battery power.



Disconnect all other DoorBird devices in the network from the power supply, before commissioning the DoorBird Smart Door Controller D410.

Option 1 (Network via LTE/4G)

POWER SUPPLY USING A POWER SUPPLY UNIT



To power the device using a mains adapter, 2 insulated wires are required.



Do not plug the power supply unit into the wall socket yet. Only use the power supply unit provided along with the device, or a DIN-rail power supply unit that you can obtain from us separately, since this has been specially stabilized electrically and is equipped with an integrated audio interference reduction device. Other power supply units may destroy the device or cause poor transmission quality.

Option 2 (Network via LTE/4G)

POWER SUPPLY USING A DIN RAIL POWER SUPPLY UNIT (AVAILABLE IN THE DOORBIRD SHOP)



We offer DIN rail power supplies in our web shop, which can be installed by a specialist.

Option 3 (Network via Ethernet)

POWER SUPPLY USING POE (POWER OVER ETHERNET) INJECTOR OR SWITCH



To power the device via a PoE-Switch (e.g. D-Link DGS-1008P) or PoE-Injector (e.g. DoorBird Gigabit PoE Injector A1093) in accordance with the PoE standard IEEE 802.3af Mode A, the four wires bearing the numbers 1, 2, 3 and 6 of a Cat.5 cable or better are to be used. Make sure to use a high-quality Cat.5 network cable or better and with proper shielding (Screened Foiled Twisted Pair (S/FTP or SFTP)) whereby the shield is connected to the outer metal shield of the RJ45 plug (8P8C). If you use PoE as a source of power, the four wires for PoE then simultaneously form the data link.

The device won't start if your PoE-Switch/PoE-Injector does not support the PoE Standard IEEE 802.3af Mode A (see PWR LED).



1. Disconnect the PoE-Switch or PoE-Injector from the power grid.
2. Run the network cable to the installation location of the device.

Further information on PoE can be found here: <http://www.doorbird.com/poe>

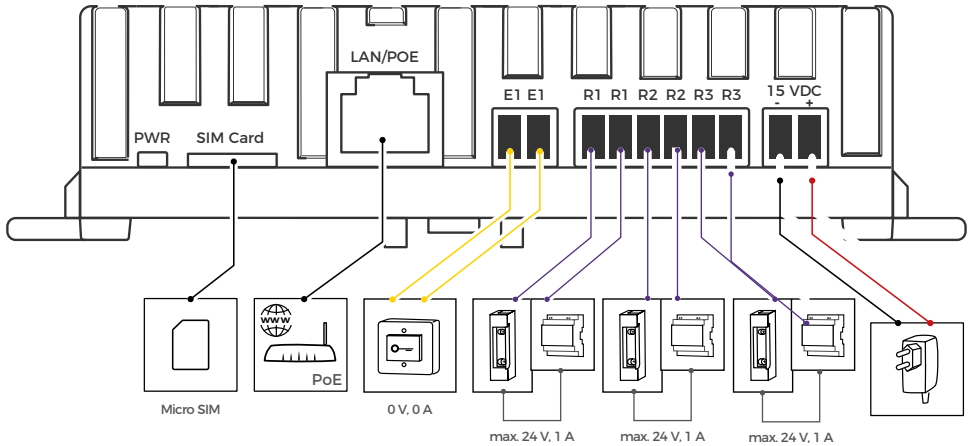


It is not possible to power the device via PoE when you use LTE/4G for Internet connection.

It is possible to connect the cables and wires to the device conveniently and safely via the labeled screw connection terminal. You can connect all necessary cables and wires to the device now.



Please remove any cables and wires from the connection ports of the device that you do not need.



PORT	DESCRIPTION
Sim Card	SIM Card slot for Micro SIM Card (not included) Insert the Micro SIM Card into the SIM card slot, with the gold contacts facing down.
LAN/PoE	If LTE/4G mobile Network not used: RJ45 jack to connect a standard Network cable Cat.5 or better, coming from the Internet Router/PoE-Switch/ PoE-Injector (PoE IEEE 802.3af or higher). NOTICE Do not power the device simultaneously via the power supply from the power supply unit (mains adapter) and the power supply via PoE.
E1 E1	External input 1, max. 0 V DC/AC, 0 A. These ports can be used to connect e.g. external door opener button. NOTICE Please make sure to add no extra voltage on these ports.
R1 R1, R2 R2, R3 R3	Bistable latching relay, max. 24 V DC/AC, 1 A. Security feature: The relay keeps its state even in the case of loss of power. You can configure the default state of the relay (open/close) via the DoorBird App. These ports can be used to connect e.g. an electric door opener. The device does not supply power to the connected device. The power supply for the electric door opener must be installed separately.
15 VDC -	15 V DC Power supply input, negative pole (-). Please connect the black wire of the power supply unit (mains adapter) here, if you do not power the device using PoE. NOTICE Do not power the device simultaneously via the power supply from the power supply unit (mains adapter) and the power supply via PoE.
15 VDC +	15 V DC Power supply input, positive pole (+). Please connect the red wire of the power supply unit (mains adapter) here, if you do not power the device using PoE. NOTICE Do not power the device simultaneously via the power supply from the power supply unit (mains adapter) and the power supply via PoE.



Use DoorBird power supply unit as an alternative to PoE.
Available in our web shop (GTIN/EAN: 4260423867314, P/N: 423867314).



Please take care when connecting the cables and wires. Connecting the cables and wires the wrong way may damage the device.

6

INTERNET CONNECTION

Option 1

LTE/4G SIM CARD: INTERNET CONNECTION VIA LTE/4G MOBILE NETWORK



Make sure that:

- your Micro SIM Card is enabled at least for LTE/4G or WCDMA/3G and Internet use
- Your provider supports IoT devices. Data only SIM recommended.
USA: AT&T or T-Mobile with a data only SIM plan
- your device is within the coverage area of your mobile operator
- your SIM Card has sufficient credit data rate (1GB per month recommended)
- you have the access data (PIN) for your SIM Card
- the LTE/4G antennas are mounted on the device
- your Sim Card PIN is changed to "0000" for initial setup
- you have inserted the Micro SIM Card into the SIM Card slot, with the gold contacts facing down

SIM Card preparation:

There are two ways to configure the PIN of the SIM Card.

1a) Change PIN to "0000"

For initial D410 device configuration set the PIN for the SIM Card to "0000". You can use e.g. a smartphone to change the PIN of the SIM Card. Then insert the Micro SIM Card into the Micro SIM Card slot of the D410, with the gold contacts facing down.

1b) Set SIM Card PIN via LAN and DoorBird App

Connect the device via network cable to Internet (see Option 2) and following the steps. Afterwards go to the DoorBird App → ⚙️ → "Administration" and log in to the Administration area to set your SIM Card PIN.



For security reasons, we recommend changing the PIN after the initial D410 configuration using the DoorBird App.



To prevent the SIM from being locked, the device tests the PIN once. To test the SIM PIN again, press and hold the SET key for 5 seconds and follow the directions on the display.

SMS Messages

Incoming SMS messages will be forwarded to the email address provided during device registration in the DoorBird App.

Roaming connections

If you want to prevent roaming connections contact your provider to activate a roaming block for your SIM Card.

Option 2

LAN: INTERNET CONNECTION VIA LOCAL NETWORK



Make sure that:

- your network cable have access to the Internet
- your network cable provides PoE, IEEE 802.3af or higher (only necessary if you do NOT use the power supply unit)
- your network provides an IP address (DHCP) e.g. via Internet router

Connect the device with your network cable which is connected to your Internet router on port "LAN/PoE".

7

ACTIVATING THE DEVICE

Switch on the power leading to the assembly location.

If you use the power supply unit (mains adapter) to power the device, plug it into a wall socket. If you use PoE to power the device, make sure to switch on power of the PoE-Switch / PoE-Injector that you have connected the device to.


NOTICE Do not power the device simultaneously via the power supply from the power supply unit (mains adapter) and the power supply via PoE.


You can see if the device receives power by checking the PWR-LED, which lights up after the device gets connected to power. The device is ready for operation (booting up process, any software updates, etc.) once the LCD display shows the network status. This may last for up to 5 minutes. If the PWR LED does not light up, please check the power supply. When using a wall-plug power supply and not PoE please check whether you have connected the positive pole and negative pole to the device correctly.

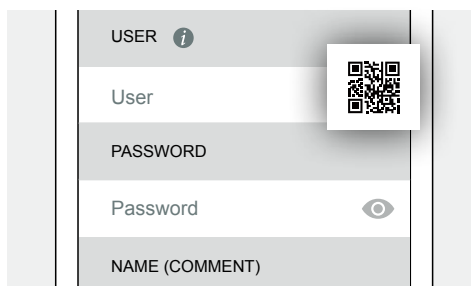
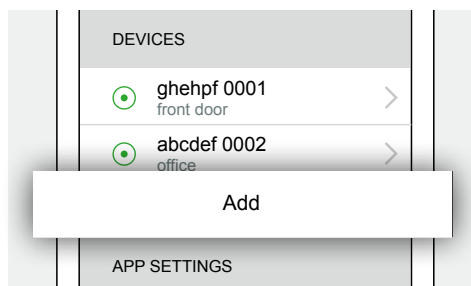
8

CONFIGURE THE DEVICE VIA DOORBIRD APP

Download the DoorBird App by Bird Home Automation onto your mobile device from the Apple App Store or Google Play Store. You can always find the most up-to-date version of the App manual on www.doorbird.com/support.

 Make sure that the DoorBird device you want to configure is online: www.doorbird.com/checkonline. If the device is not online, please check the network connection again.

If you have connected the device to the Internet, go to the DoorBird App →  → “Add” and click on the QR code icon in the “User” field. Scan the user QR code found on the “Digital Passport” provided with the device.









PWR LED

You can see if the device receives power by checking the PWR LED. The PWR LED lights up about 30 to 60 seconds after the device get connected to power and stays on for 5 minutes. For the connection status of the device, please check the status display on the top. If the PWR LED does not light up, please check

the power supply. In case of PoE, make sure to use a compatible PoE device (<https://www.doorbird.com/poe>). When using a wall-plug power supply and not PoE, please check whether you have connected the positive pole and negative pole to the device correctly.

LCD STATUS DISPLAY

Internet/Network connection	No Internet connection available	Internet connection available
	 No SIM / LAN No SIM connected	 SIM SIM connected
via LTE/4G SIM Card	 SIM Check step 6 "Internet Connection", Option 1b "Set SIM Card PIN via LAN and DoorBird App"	 SIM Roaming LTE / 4G Your SIM Card is connected to a Roaming provider. To prevent this, please contact your provider to activate a roaming block for your SIM Card.
via local network (LAN)	 No SIM / LAN No LAN connected	 LAN LAN connected

TECHNICAL SPECIFICATIONS

Dimensions 130 x 71,40 x 34,20 mm (H x W x D)
5.12 x 2.81 x 1.35 in (H x W x D)

Power supply 15 V DC or Power over Ethernet (PoE IEEE 802.3 af or higher)

Power consumption 2 W

Operating conditions 0°C to +55°C / 32°F to 131°F
Relative air humidity 0% to 85% (non-condensing)

Protection class IP 30

Mounting

- Top-hat rail / DIN rail
- Wall mounting

Approvals CE, FCC, IC, RoHS, WEEE, UKCA

Connectors & interface

- 2x SMA connectors for antennas
- MicroSD slot for SIM card (SIM Card not included)
- RJ45 port LAN/PoE (10/100 Base-T)

- 3x screw terminal connection sockets
- Input E1
- Relay R1, R2, R3 (bistable switching relay, max. 24V DC/AC, 1A)
- 15 V DC input (-/+)

Display

- LCD status display
- Backlight (blue)
- Network status indicator
- PWR LED

LTE/4G

Quectel LTE EM05-G category 4 modem

- FDD band B1/B2/B3/B4/B5/B7/B8/B12/B13/B14/B18/B19/B20/B25/B26/B28/B66/B71
- TDD band B38/B39/B40/B41
- WCDMA band B1/B2/B4/B5/B6/B8/B19
- Micro SIM, which is at least enabled for LTE/4G and Internet use

Tested for EU countries, United Kingdom, Norway, Switzerland, North America (AT&T and T-Mobile with data only SIM plan)

Bluetooth

Bluetooth 5.0 2.4 GHz (compatible with Bluetooth Keyfob Remote Control A8007)

Mobile end device: latest iOS on iPhone/iPad, latest Android on smartphone/tablet

System requirements

Internet LTE/4G: Micro SIM Card for LTE/4G or WCDMA/3G and Internet use. Sufficient credit/data rate (1 GB per month recommended). Your Provider supports IoT devices. Data only SIM plan recommended. USA: AT&T and T-Mobile with data only SIM plan. Device is within the coverage area of your mobile operator

Internet LAN (if not used with LTE/4G mobile network): Ethernet Network, with DHCP. High-speed landline broadband Internet connection, DSL, cable or fiber, no socks or proxy server

Expandable with IP I/O Door Controller A1081

Weight	222 g
EAN	4260423898257

LEGAL NOTES

General remarks

1. DoorBird is a registered trademark of Bird Home Automation GmbH.
2. Apple, the Apple logo, Mac, Mac OS, Macintosh, iPad, Multi-Touch, iOS, iPhone and iPod touch are trademarks of Apple Inc.
3. Google, Android and Google Play are trademarks of Google, Inc.
4. The Bluetooth® word mark and logos are registered trademarks of Bluetooth SIG, Inc.
5. QR Code is a registered trademark of Denso Wave Incorporated in Japan and other countries.
6. All other company and product names may be trademarks of the respective companies with which they are associated.
7. We reserve the right to make changes to our products in the interests of technical advancement. The products shown may also look different from the products supplied based on ongoing enhancement.
8. Reproducing or using texts, illustrations and photos from this instruction manual in any media – even if only in the form of excerpts – shall only be permitted with our express written consent.
9. The design of this manual is subject to copyright protection. We do not accept any liability for any errors or any erroneous content or printing errors (even in the case of technical specifications or within graphics and technical sketches).
10. Our products are in compliance with all technical guidelines, electrical and telecommunications regulations applicable in Germany, the EU and the USA.
11. Our products and also the components contained therein (ICs, software, etc.) may only be used for civilian non-military purposes.

Data privacy and data security

1. For maximum security, the device uses the same encryption technologies as are used in online banking. For your security, no port forwarding or DynDNS is used either.
2. The data centre location for remote access over the Internet by means of an App is obligatory in the EU if the determined Internet IP-Address location of the device is within the EU. The data centre is operated in line with the most stringent security standards.
3. Video, audio and any other surveillance methods can be regulated by laws that vary from country to country. Check the laws in your local region before installing and using this device for surveillance purposes.

If the device is a door-, indoor station or camera:

- In many countries video and voice signal may only be transmitted once a visitor has rung the bell (data privacy, configurable in the App).
- Please carry out the mounting in such a way that the detection range of the camera limits the device exclusively to the immediate entrance area.
- The device may come with a visitor history and motion sensor. You can activate/deactivate this function if required.

If necessary, indicate the presence of the device in a suitable place and in a suitable form.

Please observe any relevant country-specific statutory regulations concerning the use of surveillance components and surveillance cameras applicable at the installation site.

Check with the property owner and your house community if you are allowed to install and use this product. Bird Home Automation GmbH cannot be held responsible for any miss-use or miss-configuration of

this product, including the unauthorized opening of a door.

Bird Home Automation cannot be held responsible for damages caused by improper existing installations or improper installation.

Software and operating system's updates (so-called "firmware updates") are generally automatically installed on the products of Bird Home Automation GmbH via Internet, if technically possible. Automatic firmware updates keep the products' software up to date so that they always work reliably, safely and efficiently. Through further development, features can be added, extended or slightly changed. Major changes or limitations to existing features will generally occur if Bird Home Automation GmbH deems it necessary (e.g. for data protection, data security or stability reasons, or to keep them up to date). When a firmware update is available, Bird Home Automation GmbH's servers generally automatically distribute it to all compatible products connected to the Internet or Bird Home Automation GmbH's servers. This process is gradual and can take several weeks. As soon as a product receives a firmware update, the system will be installed and will restart by itself. Installed firmware updates cannot be undone. Since the products and software of Bird Home Automation GmbH are not explicitly customer-specific products, a customer cannot deny an automatic update if the product is connected to the Internet or to the Bird Home Automation GmbH's server.

Publisher

Bird Home Automation GmbH
Umlandstraße 165
10719 Berlin
Germany

Web: www.doorbird.com
Email: hello@doorbird.com

It is possible that these manual still contains typographical errors or printing errors. The information in this manual will be checked regularly and corrections will be made in the next version. We accept no liability for errors of a technical or printing nature and their consequences.

INSTALLATIONSANLEITUNG

Lesen Sie diese Anleitung sorgfältig, bevor Sie die Komponenten in Betrieb nehmen. Bewahren Sie die Anleitung zum späteren Nachschlagen auf! Wenn Sie das Gerät anderen Personen zur Nutzung überlassen, übergeben Sie auch diese Bedienungsanleitung.

Die stets aktuelle Version der Installationsanleitung finden Sie unter www.doorbird.com/support

Zur Vereinfachung der Begriffe verwenden wir „Gerät“ für das Produkt „Smart Door Controller D410“ sowie „mobiles Endgerät“ für ein Smartphone/Tablet.

Haftung

Die Erstellung dieses Dokuments wurde sorgfältig vorbereitet. Bitte informieren Sie Bird Home Automation GmbH über etwaige Ungenauigkeiten oder Unterlassungen. Bird Home Automation GmbH kann nicht für technische oder typografische Fehler verantwortlich gemacht werden und behält sich das Recht vor, Änderungen an dem Produkt und den Handbüchern ohne vorherige Ankündigung vorzunehmen. Bird Home Automation GmbH übernimmt keinerlei Garantie in Bezug auf das in diesem Dokument enthaltene Material, einschließlich, aber nicht beschränkt auf die implizierten Garantien der Marktgängigkeit und Eignung für einen bestimmten Zweck. Bird Home Automation GmbH haftet nicht für Neben- oder Folgeschäden im Zusammenhang mit der Bereitstellung, Durchführung oder Verwendung dieses Materials. Das Gerät darf nur für den vorgesehenen Zweck verwendet werden.

Gerätemodifikationen

Dieses Gerät muss in Übereinstimmung mit den Anweisungen in der Installationsanleitung installiert und verwendet werden. Dieses Gerät enthält keine vom Benutzer zu wartenden Komponenten. Durch unbefugte Gerätemodifikationen oder Änderungen erlöschen alle anwendbaren Zertifizierungen und Zulassungen.

Verwendete Symbole



Achtung: Weist auf eine gefährliche Situation hin, die, falls nicht verhindert, zum Tod oder schweren Verletzungen führt.



Warnung: Weist auf eine gefährliche Situation hin, welche, falls nicht verhindert, zum Tod oder schweren Verletzungen führen kann.



Vorsicht: Weist auf eine gefährliche Situation hin, welche, falls nicht verhindert, zu geringfügiger oder mäßiger Verletzung führen kann.



Bitte beachten: Weist auf eine gefährliche Situation hin, welche, falls nicht verhindert, zu Sachschäden führen kann.



Wichtig: Weist auf wichtige Informationen hin, die den richtigen Betrieb des Produkts gewährleisten.



Hinweis: Weist auf nützliche Informationen hin, die die optimale Verwendung des Geräts unterstützen.

Gefahrenhinweise



WARNING

- Einbau, Montage und Servicearbeiten elektrischer Geräte dürfen ausschließlich durch eine Elektrofachkraft erfolgen. Bei Nichtbeachten besteht die Gefahr schwerer gesundheitlicher Schäden oder Lebensgefahr durch elektrische Stromschläge.
- Geräte mit 110-240 V Anschluss: Das Gerät darf nur an eine leicht zugängliche Netz-Steckdose angeschlossen werden. Bei Gefahr ist der Netzstecker zu ziehen.
- Benutzen Sie für die Stromversorgung des Gerätes ausschließlich das mitgelieferte Originalnetzteil, separat erhältliche Hutschienennetzteile oder einen in dieser Anleitung empfohlenen PoE-Switch/PoE-Injektor.
- Durch elektrostatische Aufladung kann bei direktem Kontakt mit der Leiterplatte das Gerät zerstört werden. Vermeiden Sie daher ein direktes Berühren der Leiterplatte zu jeder Zeit.
- Norm EN 60065 bzw. EN 60950 bzw. EN 62368 beachten.
- Verwenden Sie das Gerät nicht, wenn es von außen erkennbare Schäden z. B. am Gehäuse, an Bedienelementen oder an den Anschlussbuchsen bzw. eine Funktionsstörung aufweist. Im Zweifelsfall lassen Sie das Gerät von einer autorisierten Fachkraft prüfen.
- Öffnen Sie das Gerät nicht. In solchen Fällen erlischt jeder Gewährleistungsanspruch! Für Folgeschäden übernehmen wir keine Haftung! Das Gerät enthält keine durch den Anwender zu wartenden Teile. Im Fehlerfall lassen Sie das Gerät von einer autorisierten Fachkraft prüfen.
- Aus Sicherheits-, Zulassungs- und Lizenzgründen (CE/FCC/IC etc.) ist das eigenmächtige Umbauen und/oder Verändern des Gerätes nicht gestattet.
- Das Gerät ist kein Spielzeug! Erlauben Sie Säuglingen und Kindern nicht damit zu spielen.
- Um Erstickungsgefahr zu vermeiden, halten Sie das Verpackungsmaterial von Säuglingen und Kindern fern. Plastikfolien/-tüten.

Styroportelle etc. sind kein Spielzeug und können gefährlich für Kinder sein. Entsorgen Sie das Verpackungsmaterial sofort nach der Entnahme des Produkts. Verwenden Sie das Verpackungsmaterial nicht wieder.

- Verlegen Sie Kabel stets so, dass diese keine Gefährdungen für Menschen und Haustiere darstellen.
- An Teilen im Gerät liegt Spannung an. Berühren Sie keine Teile, die nicht mit der Installation, der Verdrahtung oder dem Anschluss verbunden sind. Elektrische Stromschläge können die Folge sein.
- Halten Sie die Geräte, die nicht als wetterfest gekennzeichnet sind, von Wasser oder anderen Flüssigkeiten fern.
- Führen Sie keine Installation durch und stellen Sie keine Verbindungen her, während die Stromversorgung eingeschaltet ist. Beschädigungen am Gerät oder elektrische Stromschläge können die Folge sein.
- Bevor Sie die Stromversorgung einschalten, stellen Sie sicher, dass die Drähte nicht gekreuzt oder kurzgeschlossen sind. Feuer oder elektrische Stromschläge können die Folge sein.
- Hochspannung kann intern vorhanden sein. Öffnen Sie das Gerät nicht. Elektrische Stromschläge können die Folge sein.
- Das Gerät ist nicht explosionsgeschützt. Nicht in der Nähe von Gasen oder brennbaren Materialien installieren oder verwenden. Feuer oder Explosion können entstehen.
- Installieren Sie nicht zwei Stromversorgungen parallel zu einem einzigen Eingang. Feuer oder Beschädigung des Gerätes können entstehen. Achten Sie darauf, nur ein einziges Netzteil an das Gerät anzuschließen.
- Schließen Sie keinen Anschluss am Gerät an eine Netzstromleitung an. Feuer oder elektrische Stromschläge können die Folge sein.
- Stellen Sie sicher, dass das Netzkabel nicht beschädigt oder gequetscht ist. Wenn das Netzkabel gebrochen ist, kann es zu einem Brand oder elektrischen Stromschlag kommen.
- Nichts mit nassen Händen anstecken oder abziehen. Elektrische Stromschläge können die Folge sein.
- Führen Sie kein Metall oder brennbares Material in das Gerät. Feuer, elektrische Stromschläge oder Gerätestörungen können die Folge sein.
- Bestehende Verdrahtungen wie Türgongverdrahtung usw. können Hochspannungs-Wechselstrom enthalten. Schäden am Gerät oder elektrische Stromschläge können auftreten. Die Verdrahtung und Installation muss von einem qualifizierten Elektriker durchgeführt werden.
- Gerätemontage an Wand oder Decke:
Vermeiden Sie Installationsorte, an denen das Gerät Erschütterungen oder Stößen ausgesetzt ist.

- Bei Geräten mit Erdungsklemmen muss eine Erdung angeschlossen werden. Feuer oder Gerätestörungen können die Folge sein.
- Bei Geräten mit Kunststoffglas oder Echtglas, keinen hohen Druck auf das Glas ausüben. Bei Bruch kann es zu Verletzungen kommen.
- Bei Geräten mit LCD, wenn LCD beschädigt ist, nicht mit dem Flüssigkristall in Kontakt kommen. Verletzungen können die Folge sein. Wenn nötig, spülen Sie den Mund aus, reinigen Sie Ihre Augen oder Haut mit klarem Wasser für mindestens 15 Minuten und wenden Sie sich an Ihren Arzt.
- Bringen Sie nichts auf dem Gerät an und verdecken Sie das Gerät nicht mit einem Tuch, Silikon, Klebstoff, Farbe, separater Abdeckung etc. Es können Feuer- oder Gerätestörungen auftreten.
- Installieren Sie das Gerät nicht an einer der folgenden Orte. Feuer, Stromschlag oder Gerätestörungen können die Folge sein.
- Orte unter direktem Sonnenlicht oder Orte in der Nähe von Heizgeräten, die in der Temperatur variieren.
- Orte mit Staub, Öl, Chemikalien, Schwefelwasserstoff (heiße Quellen).
- Orte, die extremer Feuchtigkeit und Luftfeuchtigkeit ausgesetzt sind, wie Bäder, Keller, Gewächshäuser, etc.
- Orte, an denen die Temperatur extrem niedrig ist, wie z. B. in einem gekühlten Bereich oder vor einer Klimaanlage.
- Orte, die Dampf oder Rauch ausgesetzt sind (z.B. in der Nähe von Heiz- oder Kochflächen).
- Orte, an denen Geräusch erzeugende Geräte wie Dimmschalter oder Wechselrichter-Elektrogeräte in unmittelbarer Nähe sind.
- Orte, die häufigen Vibrationen oder Stößen ausgesetzt sind.
- Bei Geräten mit Gegensprechfunktion ist darauf zu achten, dass ein Anruftest durchgeführt wird, bei dem beide Gegensprechergeräte auf geringer Lautstärke eingestellt sind. Ein plötzlicher Anruf etc. kann ankommen und das Gehör schädigen.
- Wenn das Gerät nicht ordnungsgemäß funktioniert, ziehen Sie den Netzstecker aus der Steckdose.
- Alle Geräte, die nicht als wetterfest gekennzeichnet sind, sind nur für den Innenbereich konzipiert und nicht im Freien zu benutzen.
- Geräte, die als wetterfest gekennzeichnet sind, nicht mit Hochdruckwasser besprühen. Gerätestörungen können die Folge sein.
- Bei Sach- oder Personenschäden, die durch unsachgemäße Handhabung oder Nichtbeachten der Gefahrenhinweise verursacht werden, übernehmen wir keine Haftung. In solchen Fällen erlischt jeder Gewährleistungsanspruch! Für Folgeschäden

übernehmen wir keine Haftung.

- Bei Geräten die mit Netzteil ausgeliefert werden: Gemäß Art. 33 der REACH-Verordnung (Verordnung (EG) Nr. 1907/2006) informieren wir sie, dass der Metallkontakt des Steckerpins der Netzteilandesadapter eine Konzentration von >0,1 % des in der REACH-Verordnung gelisteten Stoffes EC / List no.: 231-100-4 (Blei) enthält. Bei bestimmungsgemäßer Verwendung sind keine Maßnahmen erforderlich, um das Produkt aufgrund der Bleikonzentration sicher verwenden zu können.

Sicherheitsanweisungen



- Die Verwendung des Geräts muss unter Beachtung der örtlich geltenden rechtlichen Bestimmungen erfolgen.
- Lagern Sie das Gerät in einer trockenen und belüfteten Umgebung.
- Achten Sie darauf, dass das Gerät weder Stößen noch starkem Druck ausgesetzt ist.
- Installieren Sie das Gerät nicht an instabilen Halterungen, Oberflächen oder Wänden. Stellen Sie sicher, dass das Material stabil genug ist, um das Gewicht des Geräts zu tragen.
- Verwenden Sie bei der Installation des Geräts ausschließlich passende Werkzeuge. Ein zu großer Kraftaufwand mit Werkzeugen kann das Gerät beschädigen.
- Verwenden Sie keine chemischen, ätzenden oder aerosolhaltigen Reinigungsmittel.
- Verwenden Sie zum Reinigen ein sauberes, trockenes Tuch.
- Verwenden Sie nur Zubehör, das den technischen Daten des Geräts entspricht. Dieses ist von Bird Home Automation GmbH erhältlich.
- Verwenden Sie ausschließlich Ersatzteile die von Bird Home Automation GmbH bereitgestellt oder empfohlen werden.
- Versuchen Sie nicht, das Gerät selbstständig zu reparieren. Wenden Sie sich bezüglich Reparatur und Wartung an Bird Home Automation GmbH.
- Halten Sie das Gerät mehr als 1 m (3,3") entfernt von Mikrowelle, Radio, TV, WLAN Router und anderen drahtlosen Geräten.
- Bei Geräten mit Gegensprechfunktion oder eingebautem Lautsprecher oder eingebautem Mikrofon oder Signalübertragungsfunktion, installieren Sie die Drähte mehr als 30 cm (12") entfernt von 100-240 V Wechselstromverdrahtung. Ansonsten können Wechselstrom-induzierte Geräusche und/oder Geräte-Störungen auftreten.
- Installieren Sie das Gerät in einem Bereich, der für zukünftige Inspektionen, Reparaturen und

Wartungen zugänglich ist.

- Wenn das Gerät in der Nähe eines Mobiltelefons verwendet wird, kann das Gerät gestört werden.
- Das Gerät kann beschädigt werden, wenn es fallen gelassen wird. Mit Vorsicht behandeln.
- Das Gerät wird während eines Stromausfalls außer Betrieb gesetzt.
- Bei Geräten mit Gegensprechfunktion oder eingebautem Lautsprecher oder eingebautem Mikrofon kann das Gerät in Bereichen, in denen Antennen von Mobilfunksendern, Radio- oder TV-Sendern in der Nähe sind, beeinträchtigt werden.
- Bei Geräten mit LCD-Bildschirm muss im Voraus darauf hingewiesen werden, dass bei einem LCD-Panel, obwohl es mit sehr hohen Präzisionstechniken hergestellt wird, unvermeidlich ein sehr kleiner Teil seiner Bildelemente nicht immer beleuchtet oder gar nicht beleuchtet wird. Dies gilt nicht als Gerätefehler.
- Bei Geräten mit Gegensprechfunktion können Umgebungsgeräusche um das Gerät herum eine reibungslose Kommunikation behindern. Dies ist keine Fehlfunktion.
- Bei Geräten mit Benutzername/Passwort ist der Anwender für den Zugriff mittels Benutzername/Passwort auf das Gerät verantwortlich. Vergewissern Sie sich ein Passwort zu verwenden, das von einem Dritten nicht leicht erraten werden kann. Wir empfehlen Ihnen, das Passwort regelmäßig zu ändern.
- Wir haften unter keinen Umständen für Schäden, die aufgrund von Fehlern in der Stromversorgung, Netzwerkgeräten oder Endgeräten auftreten; Ausfälle aufgrund von Internetanbietern und Mobilfunkanbietern; Ausfälle aufgrund von getrennten oder gestörten Leitungen und andere Übertragungsverluste, die es unmöglich machen, unseren Dienst zu erbringen, sowie allen anderen Ursachen die außerhalb unserer Verantwortung liegen; Oder, wenn während der Übertragung ein Fehler oder fehlende Daten auftreten.



Informationen zur Entsorgung elektrischer und elektronischer Geräte (für Privathaushalte)

Dieses Symbol auf Produkten oder begleitenden Dokumenten weist darauf hin, dass elektrische oder elektronische Geräte nicht mit dem allgemeinen Hausmüll entsorgt werden sollten. Bitte bringen Sie solche Produkte zu den vorgesehenen Sammelstellen, wo sie kostenfrei entgegengenommen und der geeigneten Abfall- und Wiederverwertung zugeführt werden. Alternativ dazu können Sie in einigen Ländern die Produkte beim Kauf eines äquivalenten neuen Produktes auch bei einem örtlichen Einzelhändler zurückgeben. Die ordnungsgemäße Entsorgung dieses Produkts trägt dazu bei, wertvolle Rohstoffe zu sparen und möglichen negativen Auswirkungen auf die Gesundheit und die Umwelt vorzubeugen, die durch eine ungeeignete Abfallentsorgung entstehen können. Bei den örtlichen Behörden erhalten Sie genauere Informationen zu Ihrer nächsten zuständigen Sammelstelle. Abhängig von der nationalen Gesetzgebung können für die unvorschriftsmäßige Entsorgung solcher Abfälle Strafen verhängt werden.

Informationen zur Entsorgung in Ländern außerhalb der Europäischen Union

Dieses Symbol gilt nur in der Europäischen Union. Wenn Sie dieses Produkt wegwerfen möchten, kontaktieren Sie bitte die zuständigen Behörden oder Händler in Ihrem Land, um sich über die vorschriftsmäßige Entsorgung zu informieren.

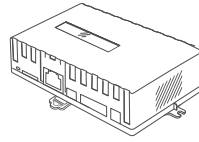
Transport

NOTICE Bei Bedarf transportieren Sie das Gerät in der Originalverpackung oder einer entsprechenden Verpackung, so dass Schäden vermieden werden.

Gewährleistung

Informationen zur Gewährleistung des Geräts finden Sie unter www.doorbird.com/de/warranty

KOMPONENTEN



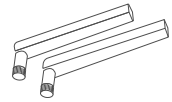
1x D410 Smart Door Controller



1x Installationsanleitung



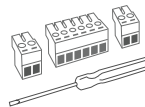
1x Quickstart guide mit Digital Passport



2x LTE/4G Antenne



1x Steckernetzteil mit bis zu vier Landesadaptern



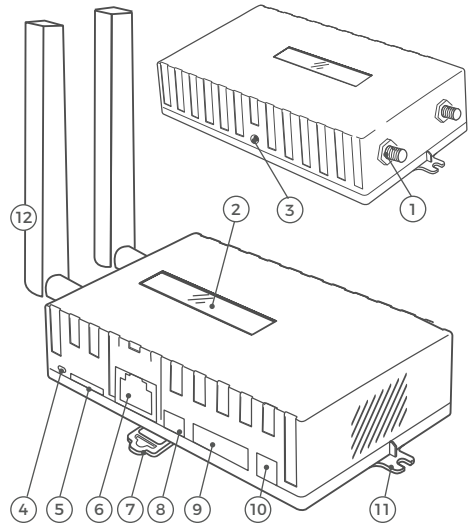
3x Schraubanschlussklemmenstecker
1x Schraubenzieher



2x Phillips Kreuzschlitz-Senkkopfschrauben und Dübel

GERÄT

- 1) Antennen
2x SMA-Steckverbinder für LTE/4G-Antennen
- 2) LCD-Statusanzeige
Blau beleuchtete LCD-Anzeige für Status und schnelle Fehleranalyse
- 3) SET Setup-Taste
Taste, um das Gerät in verschiedene Konfigurationsmodi zu versetzen, z.B. um das Gerät auf Werkseinstellungen zurückzusetzen
- 4) PWR LED
Power- und Diagnose-LED zur Anzeige des aktuellen Gerätestatus
- 5) SIM-Kartensteckplatz
Micro-SIM-Kartensteckplatz (SIM-Karte ist nicht im Lieferumfang enthalten)
- 6) LAN/PoE
Wenn nicht mit LTE/4G-Mobilfunknetz verwendet: RJ45-Buchse zum Anschluss eines Netzwerkkabels (Cat.5 oder besser) an das Netzwerksegment, das an den Switch/Router angeschlossen ist, der eine aktive Internetverbindung bereitstellt. Dieser Anschluss lässt sich zur Stromversorgung des Geräts per PoE als Alternative zum Netzteil verwenden
- 7) Hutschienenadapter-Anschluss
Hutschienenklemme für Hutschienenmontage
- 8) E1 E1
Schraubklemmenstecker zum Anschluss eines externen Eingangs
- 9) R1 R1 / R2 R2 / R3 R3
Schraubklemmenstecker zum Anschluss an drei bistabile Schaltrelais (max. 24 V DC/AC, 1A)
- 10) 15 V DC +/- Spannungsversorgung, 1A
Schraubklemmenstecker zum Anschluss eines DoorBird Netzteils (separat erhältlich) an das Gerät als Alternative zu PoE
- 11) Halterungen für die Wandmontage
Halter für die Wandmontage. Schrauben und Dübel enthalten
- 12) LTE/4G-Antennen



VIDEOS

Benötigen Sie Hilfe bei der Installation? Schauen Sie sich unsere Installationsvideos an, die Sie unter <http://www.doorbird.com/support> finden.

INSTALLATION

Alle folgenden Schritte sollten von einem fachkundigen Erwachsenen sorgsam und unter Berücksichtigung sämtlicher geltender Schutzvorschriften durchgeführt werden. Sollten Sie Fragen haben, wenden Sie sich bitte direkt an uns oder eine kompetente Fachkraft.



Achten Sie darauf, dass alle Drähte, die Sie für die Installation verwenden, über die gesamte Länge unbeschädigt und für die Verwendungsart zugelassen sind.

Netzwerkgeschwindigkeit und -komponenten

Bitte stellen Sie sicher, dass die Upload-Geschwindigkeit Ihrer Internetverbindung mindestens 0,5 Mbit/s beträgt. Das Nutzererlebnis ist nur so gut wie die Netzwerkgeschwindigkeit, die Netzwerkstabilität und die Qualität Ihrer Netzwerkkomponenten, wie Ihres Internet-Routers und Ihrer WLAN-Zugangspunkte oder WLAN-Repeater. Achten Sie auch darauf, dass Ihre Netzwerkkomponenten nicht älter als zwei Jahre sind, von einem namhaften Hersteller stammen und über die neueste Firmware verfügen.

Sollten diese Anforderungen nicht erfüllt sein, kann es vorkommen, dass beispielsweise die Audio- und Videoleistung schlecht sind oder Push-Benachrichtigungen verzögert bzw. gar nicht auf Ihrem Smartphone oder Tablet ankommen.

Anforderungen:

Highspeed-Internet (über das Festnetz): DSL, Kabel oder Glasfaser
Netzwerk: Ethernet mit DHCP

1

STROM ABSCHALTEN



Schalten Sie den Strom sämtlicher zum Montageort führenden Leitungen ab, d.h. z.B. den Strom für die Türgang, den Türgong, elektrischen Türöffner, PoE-Switch/PoE Injektor etc.

2

MONTAGEORT FESTLEGEN



Das Netzkabel zwischen dem Gerät und dem PoE-Switch/PoE-Injektor/Internet-Router kann eine maximale Länge von 80 m aufweisen.

Das Netzkabel zwischen dem Gerät und dem PoE-Switch/PoE-Injektor/Internet-Router darf eine maximale Länge von 80 Metern/262 Fuß haben.

3

MONTAGE DES GERÄTS

Das Gerät kann mit der mitgelieferten Wandhalterung, den Schrauben und Dübeln an der Wand befestigt werden oder auf einer Hutschiene mit der Hutschieneklammer montiert werden.

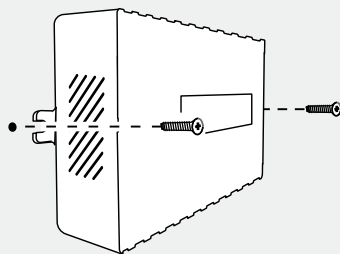
Option 1

WANDMONTAGE



Achten Sie beim Bohren der Löcher darauf, keine Gegenstände (z. B. Kabel) zu treffen.

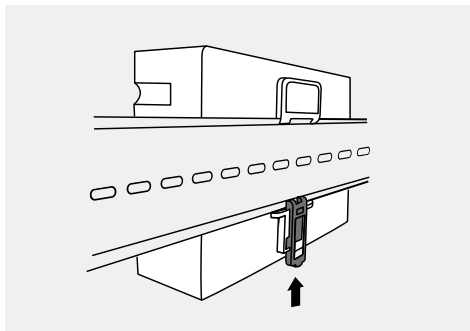
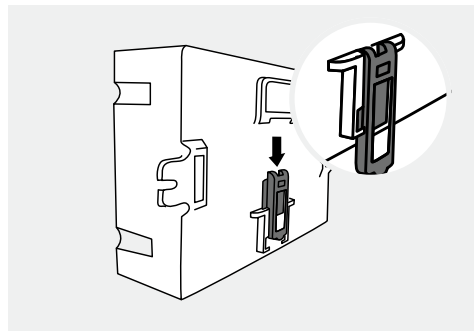
Wenn die Hauswand nicht aus Holz ist, bohren Sie Dübellöcher mit einem Durchmesser von 5 mm in die Wand und setzen Sie die mitgelieferten Dübel in die Bohrlöcher ein. Wenn die Hauswand aus Holz ist, benötigen Sie in der Regel keine Dübel. Für die Montage an einer Dämmstoffwand gibt es spezielle Dübel, z.B. Fischer Dämmstoffdübel. Bitte erkundigen Sie sich bei Ihrem Dämmstoffhersteller, welche Dübel er empfiehlt.



Option 2

DIN-HUTSCHIENENMONTAGE

Das Gerät kann auf einer Hutschiene montiert werden. Verwenden Sie die Hutschieneklammer auf der Rückseite des Geräts.



Das Gerät kann über PoE (Power over Ethernet) oder separat erhältliche DoorBird-Netzteile (Steckernetzteil oder Hutschienennetzteil) mit Strom versorgt werden. Das Gerät arbeitet nicht mit Batteriestrom.



Trennen Sie alle anderen DoorBird-Geräte im Netzwerk von der Stromversorgung, bevor Sie den DoorBird Smart Door Controller D410 in Betrieb nehmen.

Option 1 (Netzwerkverbindung über LTE/4G) STROMVERSORGUNG ÜBER NETZTEIL



Um das Gerät über ein Netzteil zu betreiben, sind 2 isolierte Drähte erforderlich.



Stecken Sie den Stecker des Netzteils noch nicht in die Steckdose. Verwenden Sie nur das mitgelieferte Netzteil oder ein separat bei uns erhältliches Hutschienennetzteil, da dieses elektrisch besonders stabilisiert und mit einer integrierten Entstörvorrichtung ausgestattet ist. Andere Netzteile können das Gerät beschädigen oder eine schlechte Übertragungsqualität verursachen.

Option 2 (Netzwerkverbindung über LTE/4G) STROMVERSORGUNG ÜBER EIN HUTSCHIENENNETZTEIL (ERHÄLTlich IM DOORBIRD-SHOP)



Wir bieten in unserem Webshop Hutschienennetzteile an, die von einer Fachperson installiert werden können.

Option 3 (Netzwerkverbindung über Ethernet) STROMVERSORGUNG ÜBER POE (POWER OVER ETHERNET) INJEKTOR ODER SWITCH



Um das Gerät über einen PoE-Switch (z.B. D-Link DGS-1008P) oder PoE-Injektor (z.B. DoorBird Gigabit PoE Injector A1093) nach dem PoE-Standard IEEE 802.3af Mode A mit Strom zu versorgen, sind die vier Adern mit den Nummern 1, 2, 3 und 6 eines Cat.5-Kabels oder besser zu verwenden. Achten Sie darauf, dass Sie ein hochwertiges Cat.5-Netzwerkkabel oder besser und mit entsprechender Abschirmung (Screened Foiled Twisted Pair (S/FTP oder SFTP)) verwenden, wobei die Abschirmung mit der äußeren Metallabschirmung des RJ45-Steckers (8P8C) verbunden ist. Wenn Sie PoE als Stromversorgung nutzen, sind vier Drähte für PoE dann gleichzeitig die Datenleitung.

Das Gerät startet nicht, wenn Ihr PoE-Switch/PoE-Injektor den PoE-Standard IEEE 802.3af Mode A nicht unterstützt (siehe PWR-LED).



1. Trennen Sie den vorgesehenen PoE-Switch oder PoE-Injektor vom Stromnetz.
2. Führen Sie das Netzwerkkabel zum Montageort des Geräts.

Weitere Informationen zu PoE finden Sie hier:
<http://www.doorbird.com/poe>

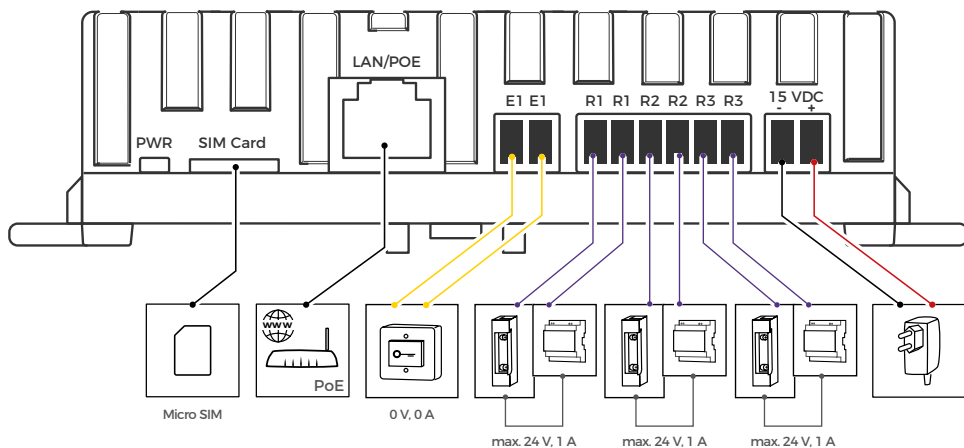


Das Gerät kann nicht über PoE mit Strom versorgt werden, wenn Sie LTE/4G als Internetverbindung verwenden.

Das Gerät verfügt über beschriftete Anschlussbuchsen, um ein sicheres und komfortables Anschließen der Kabel und Drähte zu ermöglichen. Sie können jetzt alle erforderlichen Kabel und Drähte mit dem Gerät verbinden.



Entfernen Sie bitte die Kabel und Drähte von den Anschlüssen des Geräts, die Sie nicht benötigen.



ANSCHLUSS	BESCHREIBUNG
Sim Card	SIM-Kartensteckplatz für Micro-SIM-Karte (nicht mitgeliefert) Setzen Sie die Micro-SIM-Karte mit den Goldkontakten nach unten in den SIM-Kartensteckplatz ein.
LAN/PoE	Wenn kein LTE/4G-Mobilfunknetz verwendet wird: RJ45-Buchse zum Anschluss eines Standard-Netzwerkabels Cat.5 oder besser, das vom Internet-Router/PoE-Switch/PoE-Injektor (PoE IEEE 802.3af oder höher) kommt. NOTICE Kombinieren Sie die Stromversorgung per Steckernetzteil nicht mit der Stromversorgung per PoE.
E1 E1	Externer Eingang 1, max. 0 V DC/AC, 0 A. Diese Anschlüsse können z. B. für den Anschluss eines externen Türöffnertasters verwendet werden. NOTICE Bitte achten Sie darauf, dass an diesen Anschlüssen keine zusätzliche Spannung anliegt.
R1 R1, R2 R2, R3 R3	Bistabiles Selbsthalterelais, max. 24 V DC/AC, 1 A. Sicherheitsfunktion: Das Relais behält seinen Status auch bei Stromausfall. Sie können den Standardstatus des Relais (offen/geschlossen) über die DoorBird-App konfigurieren. Diese Anschlüsse können z. B. für einen elektrischen Türöffner verwendet werden. Das Gerät versorgt das angeschlossene Gerät nicht mit Strom. Die Stromversorgung für den elektrischen Türöffner muss separat installiert werden.
15 VDC -	Eingang 15 V DC Spannungsversorgung, Minuspol (-). Bitte verbinden Sie den schwarzen Draht des Steckernetzteils mit diesem Anschluss, wenn Sie das Gerät nicht mit PoE versorgen. NOTICE Kombinieren Sie die Stromversorgung per Steckernetzteil nicht mit der Stromversorgung per PoE.
15 VDC +	Eingang 15 V DC Spannungsversorgung, Pluspol (+). Bitte verbinden Sie den roten Draht des Steckernetzteils mit diesem Anschluss, wenn Sie das Gerät nicht mit PoE versorgen. NOTICE Kombinieren Sie die Stromversorgung per Steckernetzteil nicht mit der Stromversorgung per PoE.



Verwenden Sie das DoorBird-Netzteil als Alternative zu PoE, erhältlich in unserem Webshop (GTIN/EAN: 4260423867314, P/N: 423867314).

NOTICE Bitte gehen Sie sorgsam beim Anschluss der Kabel und Drähte vor, ein falscher Anschluss kann das Gerät zerstören.

Option 1

LTE/4G SIM-KARTE: INTERNETVERBINDUNG ÜBER LTE/4G-MOBILFUNKNETZ



Stellen Sie sicher, dass:

- Ihre Micro-SIM-Karte mindestens für LTE/4G oder WCDMA/3G und Internetnutzung aktiviert ist
- Ihr Anbieter unterstützt IoT-Geräte. Nur Daten-SIM empfohlen.
USA: AT&T oder T-Mobile mit einem Daten-SIM-Tarif
- Ihr Gerät sich im Abdeckungsbereich Ihres Mobilfunkbetreibers befindet
- Ihre SIM-Karte über ein ausreichendes Datenguthaben verfügt (1 GB pro Monat empfohlen)
- Ihnen die Zugangsdaten (PIN) für Ihre SIM-Karte vorliegen
- die LTE/4G-Antennen am Gerät angebracht sind
- die PIN Ihrer Sim-Karte für die Ersteinrichtung auf „0000“ geändert wurde
- Sie die Micro-SIM-Karte mit den goldenen Kontakten nach unten in den SIM-Kartensteckplatz eingelegt haben


SIM-Karten-Vorbereitung:

Es gibt zwei Möglichkeiten, die PIN der SIM-Karte zu konfigurieren.

1a) PIN auf „0000“ ändern

Bei der Erstkonfiguration des D410 legen Sie die PIN für die SIM-Karte auf „0000“ fest. Sie können z. B. ein Smartphone verwenden, um die PIN der SIM-Karte zu ändern. Dann setzen Sie die Micro-SIM-Karte in den Micro-SIM-Kartensteckplatz des D410 ein, wobei die goldenen Kontakte nach unten zeigen.

1b) SIM-Karten-PIN über LAN und DoorBird App einstellen

Verbinden Sie das Gerät per Netzwerkkabel mit dem Internet (siehe Option 2) und folgen Sie den Schritten. Danach gehen Sie zur DoorBird App →  → “Administration” und loggen sich in den Administrationsbereich ein, um Ihre SIM-Karten-PIN zu setzen.



Aus Sicherheitsgründen empfehlen wir, die PIN nach der ersten Konfiguration des D410 über die DoorBird App zu ändern.



Um zu verhindern, dass die SIM-Karte gesperrt wird, testet das Gerät die PIN einmal. Um die SIM-PIN erneut zu testen, halten Sie die SET-Taste 5 Sekunden lang gedrückt und folgen Sie den Anweisungen auf dem Display.

SMS-Nachrichten

SMS-Nachrichten werden an die E-Mail-Adresse weitergeleitet, die bei der Registrierung des Geräts in der DoorBird App angegeben wurde.

Roaming-Verbindungen

Wenn Sie Roaming-Verbindungen verhindern möchten, wenden Sie sich an Ihren Anbieter, um eine Roaming-Sperre für Ihre SIM-Karte zu aktivieren.

Option 2

LAN: INTERNETANSCHLUSS ÜBER LOKALES NETZWERK



Stellen Sie sicher, dass:

- Ihr Netzwerkkabel Zugang zum Internet hat
- Ihr Netzwerkkabel PoE, IEEE 802.3af oder höher bietet (nur erforderlich, wenn Sie NICHT das Netzteil verwenden)
- Ihr Netzwerk eine IP-Adresse zur Verfügung stellt (DHCP), z. B. über einen Internet-Router

Verbinden Sie das Gerät mit Ihrem Netzwerkkabel, das an Ihrem Internet-Router am Port Gerät „LAN/PoE“ angeschlossen ist.

Schalten Sie die Stromzufuhr zum Montageort ein.

Wenn Sie das Gerät über das Netzteil mit Strom versorgen, schließen Sie es an eine Steckdose an. Wenn Sie das Gerät über PoE mit Strom versorgen, achten Sie darauf, den PoE-Switch/PoE-Injektor einzuschalten, an den Sie das Gerät angeschlossen haben.



NOTICE Kombinieren Sie die Stromversorgung per Steckernetzteil nicht mit der Stromversorgung per PoE.

Ob das Gerät mit Strom versorgt wird, können Sie an der PWR LED erkennen, die aufleuchtet, sobald das Gerät an den Strom angeschlossen wird. Das Gerät ist betriebsbereit (Bootvorgang, eventuelle Software-Updates usw.), sobald die LCD-Anzeige den Netzwerkstatus anzeigt. Dieser Vorgang kann bis zu 5 Minuten dauern. Wenn die PWR LED nicht leuchtet, überprüfen Sie bitte die Stromversorgung. Wenn Sie ein Steckernetzteil und nicht PoE verwenden, überprüfen Sie bitte, ob der Pluspol und der Minuspol richtig an das Gerät angeschlossen ist.


Laden Sie die DoorBird App von Bird Home Automation aus dem Apple App Store oder dem Google Play Store auf Ihr Mobilgerät herunter. Die aktuellste Version der Anleitung zur App finden Sie auf www.doorbird.com/support.

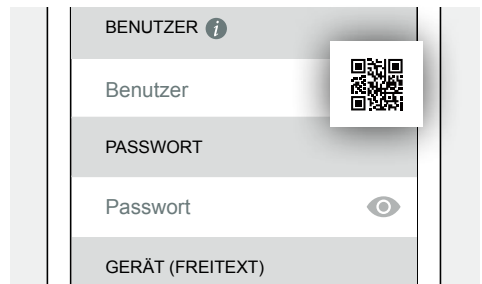
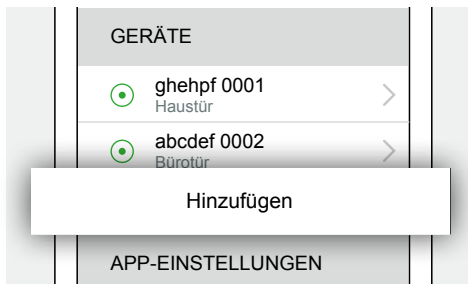


Stellen Sie sicher, dass das DoorBird-Gerät, das Sie konfigurieren möchten, online ist:

www.doorbird.com/checkonline

Wenn das Gerät nicht online ist, überprüfen Sie bitte erneut die Netzwerkverbindung.

Wenn Sie das Gerät mit dem Internet verbunden haben, gehen Sie in der DoorBird App →  → „Hinzufügen“ und klicken auf das QR-Code-Symbol im Feld „Benutzer“. Scannen Sie den Benutzer-QR-Code auf dem „Digital Passport“, der mit dem Gerät mitgeliefert wird.













PWR LED

Ob das Gerät mit Strom versorgt wird, können Sie an der PWR LED erkennen. Die PWR LED leuchtet etwa 30 bis 60 Sekunden nach dem Anschließen des Geräts an die Stromversorgung auf und bleibt 5 Minuten lang an. Den Verbindungsstatus des Geräts entnehmen Sie bitte der Statusanzeige auf der Oberseite. Wenn die PWR LED nicht leuchtet, überprüfen Sie bitte

die Stromversorgung. Bei einer Verbindung über PoE stellen Sie bitte sicher, dass Sie ein kompatibles PoE-Gerät verwenden (<https://www.doorbird.com/poe>). Wenn Sie ein Steckernetzteil und nicht PoE verwenden, überprüfen Sie bitte, ob Sie den Pluspol und den Minuspol richtig an das Gerät angeschlossen haben.

LCD STATUS DISPLAY

Internet/Netzwerk- verbindung	Keine Internetverbindung vorhanden	Internetverbindung vorhanden
über LTE/4G SIM-Karte	 No SIM / LAN Keine SIM verbunden 	 SIM SIM verbunden 
	 SIM Prüfen Sie Schritt 6 "Internetverbindung", Option 1b "SIM-Karten-PIN über LAN und DoorBird-App einstellen".  Enter PIN	 SIM Roaming LTE / 4G Ihre SIM-Karte ist mit einem Roaming-Anbieter verbunden. Um dies zu verhindern, wenden Sie sich bitte an Ihren Anbieter, um eine Roaming-Sperre für Ihre SIM-Karte zu aktivieren. 
über lokales Netzwerk (LAN)	 No SIM / LAN Kein LAN verbunden	 LAN LAN verbunden

TECHNISCHE ANGABEN

Abmessung	130 x 71,40 x 34,20 mm (L x B x H) 5.12 x 2.81 x 1.35 in (L x B x H)	Quetcel LTE EM05-G category 4 modem
Stromversorgung	15 V DC oder Power over Ethernet (PoE IEEE 802.3 af oder höher)	LTE/4G <ul style="list-style-type: none"> FDD band B1/B2/B3/B4/B5/B7/B8/B12/B13/B14/B18/B19/B20/B25/B26/B28/B66/B71 TDD band B38/B39/B40/B41 WCDMA band B1/B2/B4/B5/B6/B8/B19 Micro-SIM, die mindestens für LTE/4G und Internetnutzung freigeschaltet ist.
Leistungsaufnahme	2 W	
Betriebsbedingungen	0 bis +55°C / 32 bis 131°F Relative Luftfeuchtigkeit 0 % bis 85 % (nicht kondensierend)	Geprüft für EU-Länder, Vereinigtes Königreich, Norwegen, Schweiz, Nordamerika (AT&T und T-Mobile mit Daten-SIM-Tarif)
Schutzklasse	IP 30	Bluetooth
Montage	<ul style="list-style-type: none"> Hutschiene / DIN Rail Wandmontage 	
Zulassung	CE, FCC, IC, RoHS, WEEE, UKCA	Systemanforderungen
Anschlüsse & Schnittstelle	<ul style="list-style-type: none"> 2x SMA-Anschluss für Antennen Steckplatz für Micro-SIM-Karte (SIM-Karte nicht im Lieferumfang enthalten) RJ45-Anschluss LAN/PoE (10/100 Base-T) 3x Schraubklemmenanschlussbuchsen <ul style="list-style-type: none"> Eingang E1 Relais R1, R2, R3 (bistabiles Schaltrelais, max. 24V DC/AC, 1A) 15 V DC Eingang (-/+) 	
Display	LCD Status Display <ul style="list-style-type: none"> Hintergrundbeleuchtung (Blau) Netzwerkstatusanzeige PWR LED	Internet LAN (wenn kein LTE/4G-Mobilfunknetz verwendet wird): Ethernet Netzwerk mit DHCP. High-Speed Festnetz Breitband Internetanschluss, DSL, Kabel oder Glasfaser, kein Socks- oder Proxyserver Erweiterbar mit IP E/A Tür Controller A1081

Gewicht	222 g
EAN	4260423898257

RECHTLICHE HINWEISE

Allgemeines

1. DoorBird ist ein registriertes Warenzeichen der Bird Home Automation GmbH.
2. Apple, das Apple Logo, Mac, Mac OS, Macintosh, iPad, Multi-Touch, iOS, iPhone und iPod touch sind Warenzeichen von Apple Inc.
3. Google, Android und Google Play sind Warenzeichen von Google, Inc.
4. Die Bluetooth® Wortmarke und Logos sind Warenzeichen von Bluetooth SIG, Inc.
5. QR Code ist in Japan und anderen Ländern eine eingetragene Marke von Denso Wave Incorporated.
6. Alle anderen Firmen- und Produktnamen können Warenzeichen der jeweiligen Firmen sein, mit denen sie in Verbindung gebracht werden.
7. Änderungen an unseren Produkten, die dem technischen Fortschritt dienen, behalten wir uns vor. Die abgebildeten Produkte können im Zuge der ständigen Weiterentwicklung auch optisch von den ausgelieferten Produkten abweichen.
8. Abdrucke oder Übernahme von Texten, Abbildungen und Fotos in beliebigen Medien aus dieser Anleitung – auch auszugsweise – sind nur mit unserer ausdrücklichen schriftlichen Genehmigung gestattet.
9. Die Gestaltung dieser Anleitung unterliegt dem Urheberrecht. Für eventuelle Irrtümer, sowie inhaltliche- bzw. Druckfehler (auch bei technischen Daten oder innerhalb von Grafiken und technischen Skizzen) übernehmen wir keine Haftung.
10. Unsere Produkte entsprechen den in Deutschland, der EU und USA geltenden technischen Richtlinien, elektrischen Bestimmungen und Telekommunikationsbestimmungen.
11. Unsere Produkte und auch die darin enthaltenen Komponenten (ICs, Software etc.) dürfen ausschließlich für zivile nicht-militärische Zwecke eingesetzt werden.

Datenschutz und Datensicherheit

1. Für maximale Sicherheit verwendet das Gerät dieselben Verschlüsselungstechnologien wie beim Onlinebanking. Zu Ihrer Sicherheit sind auch keine Portweiterleitungen oder DynDNS im Einsatz.
2. Der Standort des Rechenzentrums für den Fernzugriff per App über das Internet ist verbindlich in der EU, wenn der festgestellte Internet IP-Adressen Standort des Geräts in der EU ist. Das Rechenzentrum wird nach strengsten Sicherheitsstandards betrieben.
3. Video-, Audio- und jede andere Überwachungsmethode können durch Gesetze geregelt werden, die von Land zu Land variieren. Überprüfen Sie die Gesetze in Ihrer Region vor der Installation und Verwendung dieses Gerätes für Überwachungszwecke.

Wenn es sich bei dem Gerät um eine Tür-, Innenstation oder Kamera handelt:

- In vielen Ländern darf Videobild und Sprache erst dann übertragen werden, wenn ein Besucher geklingelt hat (Datenschutz, konfigurierbar in der App)
- Führen Sie die Montage so durch, dass sich der Erfassungsbereich der Kamera ausschließlich auf den unmittelbaren Eingangsbereich beschränkt.
- Das Gerät verfügt ggf. über eine integrierte Besucherhistorie und Bewegungssensor. Sie können diese Funktionen, wenn erforderlich, aktivieren/deaktivieren.

Erkundigen Sie sich beim Eigentümer und Ihrer Hausgemeinschaft, ob Sie dieses Produkt installieren und verwenden dürfen. Bird Home Automation GmbH übernimmt keine Verantwortung für den Missbrauch oder die Fehlkonfiguration dieses Produkts, auch nicht durch unerwünschtes Öffnen einer Tür. Bird Home Automation kann nicht für Schäden haftbar gemacht werden, die durch unsachgemäße bestehende Installationen oder unsachgemäße Installation entstehen. Weisen Sie bei Erfordernis an geeigneter Stelle und in geeigneter Form auf das Vorhandensein des Geräts hin.

Beachten Sie alle am Installationsort geltenden relevanten landespezifischen gesetzlichen Regelungen für den Einsatz von Überwachungskomponenten und Überwachungskameras.

Software Updates bzw. Aktualisierungen des Betriebssystems (so genannte „Firmware-Updates“) werden im Normalfall automatisch in die Produkte der Bird Home Automation GmbH über das Internet eingespielt, sofern technisch möglich. Mit automatischen Firmware-Updates wird die Software der Produkte auf dem neuesten verfügbaren Stand gehalten, damit sie stets zuverlässig, sicher und leistungsstark arbeiten. Durch Weiterentwicklung können Funktionen im Zeitverlauf hinzugefügt, erweitert oder geringfügig geändert werden. Größere Änderungen bzw. Einschränkungen bereits vorhandener Funktionen erfolgen im Normalfall nur, sofern Bird Home Automation GmbH dies für erforderlich hält (z.B. aus Datenschutz-, Datensicherheits- oder Stabilitätsgründen oder um sie auf dem Stand der Technik zu halten). Wenn ein Firmware-Update verfügbar ist, verteilen es die Server der Bird Home Automation GmbH im Normalfall automatisch an alle kompatiblen Produkte, die mit dem Internet bzw. Server der Bird Home Automation GmbH verbunden sind. Dieser Prozess erfolgt schrittweise und kann mehrere Wochen dauern. Wenn ein Produkt ein Firmware-Update erhält, installiert es dieses und startet im Normalfall neu. Installierte Firmware-Updates können nicht rückgängig gemacht werden. Da es sich bei den Produkten und der Software der Bird Home Automation GmbH nicht um explizit kundenspezifisch entwickelte Produkte handelt, kann ein Kunde ein automatisches Update nicht verwehren, sofern das Produkt mit dem Internet bzw. Server der Bird Home Automation GmbH verbunden ist.

Herausgeber

Bird Home Automation GmbH
 Uhlandstraße 165
 10719 Berlin
 Deutschland
 Web: www.doorbird.com
 Email: hello@doorbird.com

Es ist möglich, dass die vorliegende Anleitung noch drucktechnische Mängel oder Druckfehler aufweist. Die Angaben in dieser Anleitung werden jedoch regelmäßig überprüft und Korrekturen in der nächsten Ausgabe vorgenommen. Für Fehler technischer oder drucktechnischer Art und ihre Folgen übernehmen wir keine Haftung.

MANUEL D'INSTALLATION

Veillez lire attentivement les instructions suivantes avant de commencer à utiliser l'un des composants. Conservez ce manuel pour pouvoir le consulter à nouveau ultérieurement en cas de besoin. Si vous transférez l'appareil à un autre utilisateur, veuillez également remettre à cette personne le manuel d'utilisation.

La dernière version à jour du manuel d'installation est systématiquement mise en ligne sur www.doorbird.com/support. Pour simplifier la lecture du manuel, nous utilisons le terme « appareil » pour désigner le produit « Commande de porte intelligente D410 » et le terme « terminal mobile » pour désigner un smartphone ou une tablette.

Responsabilité

Ce document a été rédigé minutieusement afin de permettre à nos utilisateurs de bien utiliser notre appareil. Nous vous remercions d'informer Bird Home Automation GmbH d'éventuelles inexactitudes ou omissions. Bird Home Automation GmbH décline toute responsabilité en cas d'inexactitudes techniques ou d'erreurs typographiques, et se réserve le droit de procéder sans préavis à des modifications de ses produits et de ses manuels d'installation. Bird Home Automation GmbH ne donne aucune garantie quant au contenu de ce document, y compris, mais sans s'y limiter, en ce qui concerne les garanties implicites de qualité marchande et d'adéquation à un usage particulier. Bird Home Automation GmbH ne peut être tenue responsable des dommages accessoires et consécutifs en lien avec la mise à disposition, la mise en œuvre ou l'utilisation de ce matériel. L'appareil ne peut être utilisé que pour l'usage auquel il est destiné.

Modifications apportées à l'appareil

Cet appareil doit être installé et utilisé conformément aux instructions figurant dans le manuel d'installation. Ce dispositif ne contient aucun composant nécessitant un entretien par l'utilisateur. Les modifications ou changements non autorisés invalideront toutes les certifications et approbations réglementaires applicables.

Symboles utilisés



Danger : indique une situation dangereuse qui, si rien n'est fait pour l'éviter, entraîne la mort ou des blessures graves.



Mise en garde : indique une situation dangereuse qui, si rien n'est fait pour l'éviter, peut entraîner la mort ou des blessures graves.



Prudence : indique une situation dangereuse qui, si rien n'est fait pour l'éviter, peut entraîner des lésions légères.



Remarque : indique une situation dangereuse qui, si rien n'est fait pour l'éviter, peut entraîner des dommages matériels.



Important : indique la présence d'informations importantes garantissant le fonctionnement correct du produit.



Indication : indique la présence d'informations utiles en vue de l'utilisation optimale de l'appareil.

Indications de danger



WARNING

- L'installation, le montage et les travaux d'entretien des appareils électriques doivent être exclusivement réalisés par un spécialiste agréé. En ne respectant pas cette consigne, vous risquez de vous exposer à de graves dangers pour votre santé ou à un danger de mort par électrocution.
- Appareils avec raccordement 110-240 V : l'appareil ne doit être raccordé qu'à une prise de courant facilement accessible. En cas de danger, débranchez l'adaptateur secteur.
- Pour l'alimentation électrique, utilisez uniquement l'adaptateur principal enfichable d'origine livré avec l'appareil, des blocs d'alimentations sur rail DIN disponibles séparément ou un convertisseur PoE/Injecteur PoE recommandé, comme indiqué dans ce manuel.
- En raison de la charge électrostatique, le contact direct avec le circuit imprimé peut entraîner la destruction de l'appareil. Le contact direct avec le circuit imprimé doit donc être évité à tout moment.
- Respectez les normes EN 60065, EN 60950 et EN 62368.
- N'utilisez pas l'appareil si celui-ci présente en apparence des dommages extérieurs, comme par exemple des dommages au boîtier, aux éléments de commande ou aux prises de raccordement, ou s'il présente un dysfonctionnement quelconque. En cas de doute, veuillez faire contrôler l'appareil par un spécialiste agréé.
- N'ouvrez pas l'appareil car cela annulera votre garantie. Aucune pièce de l'appareil ne nécessite un entretien par l'utilisateur. En cas d'erreurs, veuillez faire contrôler l'appareil par un spécialiste agréé.
- Pour des raisons de sécurité, d'homologation et de licences (CE/FCC/IC etc.), il est interdit de procéder à des transformations et/ou des modifications de l'appareil sans autorisation.
- Cet appareil n'est pas un jouet : ne laissez pas les bébés et les enfants jouer avec.
- Pour éviter tout risque de suffocation, tenez les matériaux d'emballage hors de portée des bébés et des enfants. Les films/sacs en plastique, les morceaux de polystyrène, etc. ne sont pas des jouets et peuvent être



WARNING

- dangereux entre les mains d'un enfant. Jetez les matériaux d'emballage immédiatement après avoir retiré le produit. Ne réutilisez pas les matériaux d'emballage.
- Posez les câbles de telle façon qu'ils ne deviennent pas un danger potentiel pour les personnes et les animaux domestiques.
 - Il y a de la tension sur certaines pièces de l'appareil. Ne touchez aucune pièce non associée à l'installation, au câblage ou au branchement. Des décharges électriques peuvent en résulter.
 - Maintenez les appareils non repris comme résistant aux intempéries à l'abri de l'eau et de tout autre liquide.
 - Ne procédez jamais à une installation ni à des branchements lorsque l'alimentation électrique est activée. L'appareil pourrait en résulter endommagé et pourrait provoquer des décharges électriques.
 - Avant de mettre sous tension, assurez-vous que les fils ne soient pas croisés et ne présentent pas de court-circuit. Il peut en résulter un incendie ou des décharges électriques.
 - Il peut y avoir de la haute tension à l'intérieur de l'appareil. N'ouvrez pas l'appareil. Il peut en résulter des décharges électriques.
 - L'appareil n'est pas protégé contre les explosions. Ne l'installez pas et ne l'utilisez pas à proximité de gaz ou de matériaux inflammables. Un incendie ou une explosion pourrait en résulter.
 - N'installez pas deux alimentations en parallèle sur une même entrée. L'appareil pourrait en résulter endommagé et un incendie pourrait se déclarer. Veillez bien à ne raccorder qu'une seule alimentation électrique à l'appareil.
 - Ne raccordez aucun terminal de l'appareil à une ligne d'alimentation. Il peut en résulter un incendie ou des décharges électriques.
 - Assurez-vous que le câble d'alimentation ne soit ni endommagé, ni écrasé. Si le câble est rompu, il peut en résulter un incendie ou une décharge électrique.
 - Ne branchez et ne débranchez jamais rien avec les mains mouillées. Cela pourrait provoquer des décharges électriques.
 - N'introduisez pas de matériaux métalliques ou inflammables dans l'appareil. Cela pourrait provoquer un incendie, des décharges électriques ou des dysfonctionnements au niveau de l'appareil.
 - Il peut y avoir de l'électricité à haute tension sur les câblages existants, comme le câblage du carillon de porte (et bien d'autres). L'appareil pourrait en résulter endommagé et pourrait envoyer des décharges électriques. Le câblage et l'installation doivent être effectués par un spécialiste agréé.
 - Fixez l'appareil au mur ou au plafond et évitez les emplacements où l'appareil risquerait d'être exposé à des vibrations et à des chocs car cela pourrait endommager l'appareil.
 - Pour les appareils munis d'une borne de terre, il faut un raccordement effectif à la terre. Dans le cas contraire, il existe des risques d'incendie et de dysfonctionnement de l'appareil.
 - Pour les appareils contenant du plastique ou du verre véritable, n'exercez pas de pression sur le verre. La rupture de celui-ci peut occasionner des blessures.
 - Pour les appareils avec écran LCD, si l'écran LCD est endommagé, n'entrez pas en contact avec les cristaux liquides car cela pourrait occasionner des blessures. Au besoin, rincez-vous la bouche, nettoyez vos yeux ou votre peau à l'eau claire pendant 15 minutes au minimum et consultez votre médecin traitant.
 - Ne déposez rien sur l'appareil et ne le recouvrez pas de tissu, de silicone, de colle, ou de tout autre revêtement, etc. Il pourrait en résulter un incendie et un dysfonctionnement de l'appareil.
 - N'installez pas l'appareil à l'un des emplacements suivants car il pourrait s'ensuivre un incendie, une décharge électrique ou des dysfonctionnements au niveau de l'appareil :
 - Emplacements exposés à la lumière directe du soleil ou à proximité d'appareils de chauffage dont la température varie.
 - Emplacements exposés à la poussière, à l'huile, aux produits chimiques, à l'acide sulfurique (source chaude).
 - Emplacements soumis à des conditions d'humidité et d'humidité extrêmes, tels que des salles de bains, des caves, des serres, etc.
 - Emplacements où la température est très basse, p. ex. une zone réfrigérée ou devant un climatiseur.
 - Emplacements exposés à la vapeur et à la fumée (p. ex. à proximité de surfaces chauffantes ou de cuisson).
 - Emplacements à proximité immédiate d'appareils émettant du bruit, tels que des gradateurs ou des appareils électriques à onduleur.
 - Emplacements soumis à de fréquentes vibrations ou chocs.
 - Pour les appareils avec fonction interphone, assurez-vous d'effectuer un test d'appel avec un faible volume audio sur les deux appareils. Un appel soudain ou un autre incident du même type, peut se produire et causer des dommages à votre ouïe.
 - Si l'appareil ne fonctionne pas correctement, débranchez l'alimentation.
 - Les appareils qui ne sont pas repris comme résistants aux intempéries sont conçus pour un usage intérieur uniquement et ne doivent pas être utilisés à l'extérieur.
 - Ne pas pulvériser d'eau à haute pression sur les appareils qui sont repris comme résistant aux

intempéries. Des dysfonctionnements au niveau de l'appareil pourraient s'ensuivre.

- Nous déclinons toute responsabilité en cas de dommages matériels ou corporels suite à une manipulation inappropriée ou au non-respect des instructions de sécurité. Dans ce type de cas, il n'existe aucun recours en garantie ! Nous déclinons toute responsabilité en cas de dommages indirects.
- Pour les appareils livrés avec un adaptateur secteur: conformément à l'article 33 du règlement REACH (règlement (CE) n° 1907/2006), nous vous informons que le contact métallique de la broche de la fiche de l'adaptateur secteur contient une concentration supérieure à 0,1 % de la substance répertoriée dans le règlement REACH sous le numéro CE / List no.: 231-100-4 (plomb). Lorsqu'il est utilisé conformément à l'usage prévu, aucune mesure supplémentaire n'est nécessaire pour garantir une utilisation sécurisée du produit en raison de la concentration de plomb.

Consignes de sécurité


NOTICE

- L'appareil doit être utilisé conformément aux lois et règlements locaux.
- Stockez l'appareil dans un endroit sec et aéré.
- Évitez d'exposer l'appareil à des chocs ou à une forte pression.
- N'installez pas l'appareil sur des supports, surfaces ou parois instables. Assurez-vous que le matériau utilisé soit suffisamment stable pour supporter le poids de l'appareil.
- Lors de l'installation de l'appareil, utilisez uniquement des outils appropriés. L'utilisation d'une force excessive avec les outils peut endommager l'appareil.
- N'utilisez pas de produits chimiques, d'agents caustiques ou de nettoyants en aérosol.
- Pour le nettoyage, utilisez un chiffon propre et sec.
- Utilisez exclusivement des accessoires conformes aux spécifications techniques de l'appareil. Ceux-ci sont disponibles chez Bird Home Automation GmbH.
- Utilisez exclusivement des pièces de rechange fournies ou recommandées par Bird Home Automation GmbH.
- N'essayez pas de réparer l'appareil vous-même. Pour toute réparation et pour tout entretien, adressez-vous à Bird Home Automation GmbH.
- Tenez l'appareil à une distance minimale d'un 1 mètre (3,3') des appareils de type four à micro-ondes, radio, TV, routeur sans fil et autres appareils sans fil.
- Pour les appareils équipés d'un interphone, d'un haut-parleur ou d'un microphone intégré, ou des appareils avec fonctions de transmission de signaux, installez les fils à plus de 30 cm

(12") de distance du câblage AC 100 - 240 V. Un bruit induit par le courant alternatif et/ou un mauvais fonctionnement de l'appareil pourrait en résulter.

- Installez l'appareil dans un endroit accessible en cas d'inspections, de réparations et d'entretiens à venir.
- Si l'appareil est utilisé à proximité d'un téléphone mobile, des perturbations peuvent s'ensuivre.
- En cas de chute, l'appareil peut être endommagé. Manipulez-le avec prudence.
- L'appareil est hors service en cas de panne de courant.
- Pour les appareils équipés d'un interphone, d'un haut-parleur ou d'un microphone intégré, le fonctionnement de l'appareil peut être entravé dans les endroits se trouvant à proximité d'antennes cellulaires ou de radiodiffusion / télévision.
- Pour les appareils à écran LCD, il est important de noter que, bien qu'un écran LCD soit fabriqué avec des techniques de très haute précision, il y aura toujours, inévitablement, une très petite partie de ses éléments visuels qui ne sera pas toujours éclairée, voire même pas éclairée du tout. Ceci n'est pas considéré comme un dysfonctionnement de l'appareil.
- Pour les appareils avec fonction interphone, les bruits ambiants autour de l'appareil peuvent entraver sa bonne communication. Ceci n'est pas considéré comme un dysfonctionnement.
- Pour les appareils requérant un nom d'utilisateur / mot de passe, l'utilisateur est responsable de l'accès à l'appareil au moyen d'un nom d'utilisateur / mot de passe. Veillez à utiliser un mot de passe qu'un tiers ne pourra pas deviner aisément. Nous vous recommandons également de modifier régulièrement votre mot de passe.
- Nous ne serons en aucun cas responsables des dommages causés par des pannes d'alimentation électrique, d'équipement de réseau ou de terminaux, des défaillances dues à des fournisseurs d'accès Internet et de réseaux cellulaires, des pannes telles que des lignes déconnectées et autres pertes de communication, ce qui rendrait impossible la fourniture de ce service et retarderait de quelque manière que ce soit ce service pour tout autre cause ne relevant pas de notre responsabilité, ou si une erreur ou des données manquantes se produisent pendant la transmission.

Transport

 Utilisez l'emballage d'origine ou un emballage équivalent pour éviter d'endommager l'appareil.



Informations relatives à l'élimination des déchets, destinées aux utilisateurs d'appareils électriques et électroniques (appareils ménagers domestiques)

Lorsque ce symbole figure sur les produits et/ou les documents qui les accompagnent, cela signifie que les appareils électriques et électroniques ne doivent pas être jetés avec les ordures ménagères. Pour que ces produits subissent un traitement, une récupération et un recyclage appropriés, envoyez-les dans les points de collecte désignés, où ils peuvent être déposés gratuitement. Dans certains pays, il est possible de renvoyer les produits au revendeur local en cas d'achat d'un produit équivalent. En éliminant correctement ce produit, vous contribuez à la conservation des ressources vitales et à la prévention des éventuels effets néfastes sur l'environnement et la santé humaine qui pourraient survenir dans le cas contraire. Afin de trouver le point de collecte le plus proche, veuillez contacter les autorités locales. Des sanctions peuvent être appliquées en cas d'élimination incorrecte de ces déchets, conformément à la législation nationale.

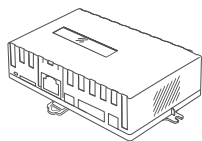
Garantie

Vous trouverez les informations relatives à la garantie en consultant la page www.doorbird.com/warranty

Informations sur l'élimination des déchets dans les pays ne faisant pas partie de l'Union européenne

Ce symbole n'est reconnu que dans l'Union européenne. Pour vous débarrasser de ce produit, veuillez contacter les autorités locales ou votre revendeur afin de connaître la procédure d'élimination à suivre.

COMPOSANTS*



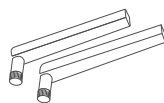
1x Commande de porte intelligente D410



1x Manuel d'installation



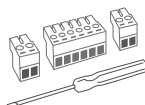
1x Guide de démarrage rapide avec passeport numérique



2x Antenne LTE/4G



1x Bloc d'alimentation électrique (adaptateur secteur) avec jusqu'à quatre adaptateurs spécifiques pour différents pays



3x Connecteur à visser et

1x Tournevis adapté



2x Vis et chevilles cruciformes à tête fraisée

APPAREIL

- 1) Antennes
2x Connecteur SMA pour antennes LTE/4G
- 2) Écran d'état LCD
Écran LCD bleu rétroéclairé pour afficher l'état de l'appareil et un diagnostic rapide des erreurs
- 3) Bouton de paramétrage « SET »
Bouton à utiliser pour paramétrer l'appareil sur différents modes de configuration, par exemple, pour réinitialiser l'appareil en restaurant les réglages par défaut.
- 4) Diode témoin d'alimentation
Diode d'alimentation et de diagnostic pour afficher l'état actuel de l'appareil.
- 5) Emplacement pour carte SIM
Emplacement pour carte Micro SIM (carte SIM non fournie)
- 6) LAN/PoE
Si l'appareil n'est pas utilisé avec un réseau mobile LTE/4G : Prise RJ45 pour brancher un câble réseau (Cat. 5 ou supérieure) au segment du réseau auquel est relié le switch/routeur fournissant une connexion Internet active. Utilisez ce port pour alimenter l'appareil par PoE en remplacement de l'alimentation secteur.
- 7) Connecteur pour rail DIN
Raccord clip pour montage sur rail DIN
- 8) E1 E1
Raccord vissé pour connecter une entrée externe

VIDÉOS

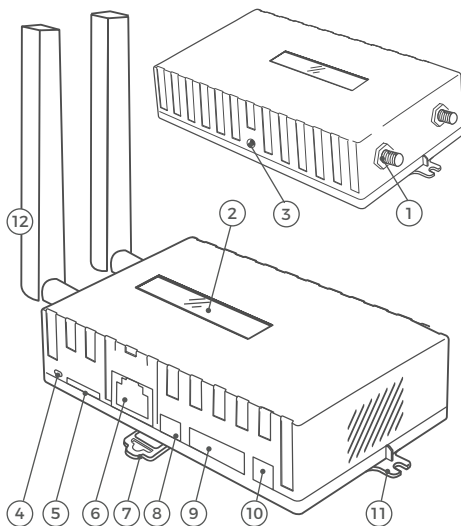
Avez-vous besoin d'aide pour l'installation ? N'hésitez pas à visionner les vidéos d'installation que vous trouverez sur <http://www.doorbird.com/support>

INSTALLATION

Toutes les étapes décrites ci-après doivent être réalisées attentivement par un adulte compétent, en tenant compte de la réglementation applicable en matière de sécurité. N'hésitez pas à nous contacter directement ou à faire appel à un technicien spécialisé.



Assurez-vous que tous les câbles utilisés pour l'installation soient en bon état sur toute leur longueur, et qu'ils soient conformes au type requis pour l'utilisation envisagée.



- 9) R1 R1/R2 R2/R3 R3
Raccord vissé pour relais bistable à verrouillage (maxi. 24 V DC/AC, 1A)
- 10) Alimentation +/- 15 VDC, 1A
Raccord vissé pour connecter une alimentation DoorBird (disponible séparément) en remplacement de l'alimentation PoE.
- 11) Supports de fixation murale
Support pour fixer l'appareil au mur. Vis et chevilles incluses.
- 12) Antennes LTE/4G

Débit et composants du réseau

Assurez-vous que votre connexion Internet dispose d'un débit ascendant d'au moins 0,5 Mbps. La qualité de l'expérience utilisateur est directement liée au débit et à la stabilité de votre réseau, ainsi qu'à la qualité des composants de votre réseau (par exemple, routeur Internet et points d'accès WiFi ou répéteurs WiFi). Assurez-vous également que les composants de votre réseau ne datent pas de plus de deux ans, qu'ils proviennent d'un fabricant réputé, et que la dernière version disponible du firmware a bien été installée.

Si ces conditions ne sont pas réunies, vous pourriez observer de mauvaises performances audio ou vidéo, ou un retard à l'affichage des notifications push, voire un défaut complet d'affichage des notifications sur votre smartphone ou tablette.

Configuration requise :

Internet haut débit (par ligne terrestre) : DSL, câble ou fibre optique

Réseau : Ethernet avec DHCP

1

COUPER L'ALIMENTATION



Coupez l'alimentation électrique de l'emplacement de montage, par exemple la sonnette d'entrée, l'ouverture électrique de la porte, l'alimentation électrique de l'appareil, etc.

2

DÉTERMINER L'EMPLACEMENT DE MONTAGE



L'appareil est certifié IP30 (il n'est pas étanche). Assurez-vous de placer l'appareil dans un boîtier adapté, protégé des interférences radio si vous souhaitez l'utiliser en extérieur.

Le câble réseau reliant l'appareil au switch PoE, à l'injecteur PoE ou au routeur Internet doit présenter une longueur maximale de 80 mètres/262 pieds.

3

FIXER L'APPAREIL

Vous pouvez fixer l'appareil au mur à l'aide du support de fixation murale, des vis et chevilles fournies, ou sur un rail DIN, à l'aide de l'adaptateur pour rail DIN fourni.

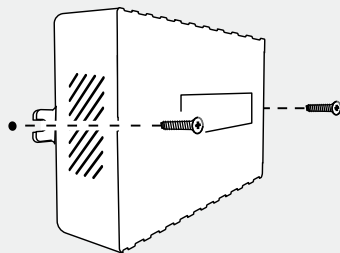
Solution 1

FIXATION MURALE



Assurez-vous de ne toucher aucun objet (par ex. un câble) en perçant les trous.

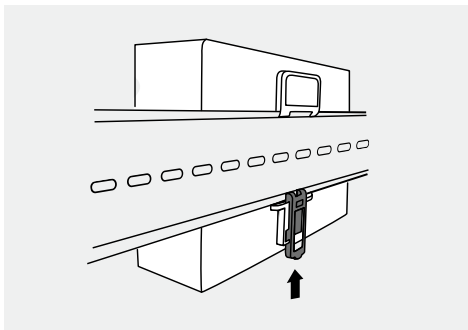
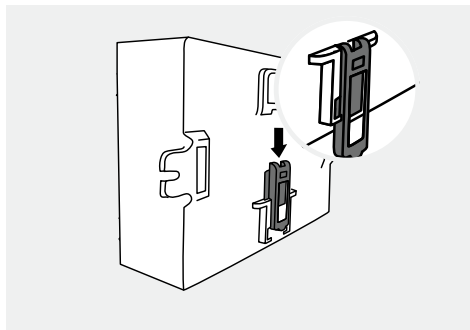
Si les murs du logement ne sont pas réalisés en bois, vous devrez percer dans le mur des trous pour cheville de diamètre 5 mm, avant d'y insérer les chevilles fournies. Si les murs du logement sont réalisés en bois, nous n'avez normalement pas besoin de chevilles. Il existe des chevilles spécialement conçues pour la fixation sur une paroi isolée (par ex. les chevilles Fischer). Consultez le fabricant de l'isolant de vos murs pour connaître les chevilles de fixation adaptées.



Solution 2

FIXATION SUR RAIL DIN

L'appareil peut être fixé sur un rail DIN. Utilisez l'adaptateur pour rail DIN situé sur la face arrière de l'appareil.



ALIMENTATION ÉLECTRIQUE

Il est possible d'alimenter l'appareil par le réseau (PoE, Power over Ethernet) ou au moyen d'un adaptateur secteur DoorBird vendu séparément (bloc secteur ou alimentation pour rail DIN). L'appareil n'est pas alimenté par batterie.



Débranchez l'alimentation de tous les autres appareils DoorBird présents sur le réseau avant de mettre en service la Smart Door Controller D410.

Option 1 (réseau via LTE/4G)

ALIMENTATION PAR BLOC D'ALIMENTATION



Pour alimenter l'appareil au moyen d'un adaptateur secteur, 2 fils isolés sont nécessaires.



Ne branchez pas encore l'adaptateur secteur à la prise murale. Utilisez uniquement le module d'alimentation fourni avec l'appareil ou un module d'alimentation pour rail DIN que nous pouvons vous fournir séparément. En effet, ces composants ont fait l'objet d'une stabilisation électrique spécifique et sont équipés d'un dispositif intégré de réduction des interférences audio. En utilisant un module d'alimentation différent, vous risquez de détruire l'appareil. La qualité de la transmission peut également en être dégradée.

Option 2 (réseau via LTE/4G)

ALIMENTATION PAR MODULE D'ALIMENTATION POUR RAIL DIN (DISPONIBLE SUR LA BOUTIQUE DOORBIRD)



Nous proposons sur notre boutique en ligne des modules d'alimentation pour rail DIN, qui pourront être installés par un technicien spécialisé.

Option 3 (réseau via Ethernet)

ALIMENTATION PAR INJECTEUR OU SWITCH POE (POWER OVER ETHERNET)



Pour alimenter l'appareil via un switch PoE (par ex. D-Link DGS-1008P) ou un injecteur PoE (par ex. injecteur PoE Gigabit DoorBird A1093) conforme à la norme PoE IEEE 802.3 af Mode A, utiliser les quatre fils portant les numéros 1, 2, 3 et 6 d'un câble de Cat. 5 ou supérieure. Assurez-vous d'utiliser un câble réseau Cat. 5 ou supérieure de bonne qualité, équipé d'un blindage adapté (S/FTP ou SFTP) relié à la tresse métallique extérieure de la prise RJ45 (8P8C). Si vous utilisez l'alimentation PoE, les quatre fils nécessaires à l'alimentation de puissance transmettent également les données.

L'appareil ne démarrera pas si votre switch ou injecteur PoE n'est pas conforme à la norme PoE IEEE 802.3 af Mode A (voir diode d'alimentation).



1. Débranchez le switch ou injecteur PoE de l'alimentation secteur.
2. Posez le câble réseau jusqu'à l'emplacement d'installation de l'appareil.

Vous trouverez d'autres informations concernant le PoE sur : <http://www.doorbird.com/poe>



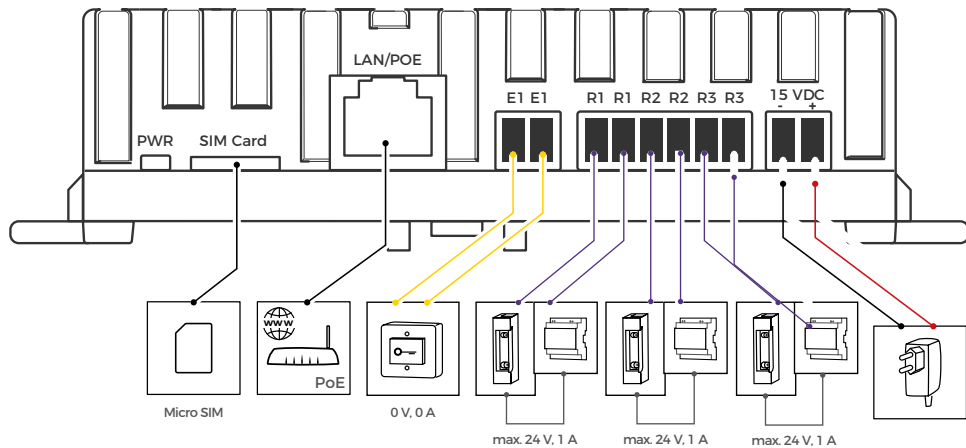
Vous ne pourrez pas alimenter l'appareil par PoE si vous vous connectez à Internet par LTE/4G.

BRANCHER L'APPAREIL

Le bornier à vis étiqueté permet de brancher les câbles et les fils à l'appareil de manière pratique et sûre. Vous pouvez à présent brancher tous les câbles et fils nécessaires à l'appareil.



Pensez à débrancher des ports de connexion de l'appareil les câbles et fils dont vous n'avez pas besoin.



PORT	DESCRIPTION
Sim Card	Emplacement pour carte micro-SIM (non fournie) Insérez la carte micro-SIM dans le port pour carte SIM, contacts dorés vers le bas.
LAN/PoE	Si l'appareil n'est pas utilisé avec un réseau mobile LTE/4G : Prise RJ45 pour brancher un câble réseau (Cat. 5 ou supérieure) standard relié au routeur/switch PoE/injecteur PoE (PoE IEEE 802.3 af ou supérieur) fournissant une connexion Internet active. NOTICE N'alimentez pas l'appareil simultanément au moyen d'un adaptateur secteur et par PoE.
E1 E1	Entrée externe 1, maxi. 0 V DC/AC, 0 A. Ces ports peuvent servir à relier par exemple le bouton de l'ouverture de porte externe. NOTICE Assurez-vous de ne pas ajouter de tension supplémentaire sur ces ports.
R1 R1, R2 R2, R3 R3	Relais bistable à verrouillage, maxi. 24 V DC/AC, 1 A. Fonctionnalité de sécurité : Le relais reste ouvert même en cas de perte d'alimentation. Vous pouvez configurer l'état par défaut du relais (ouvert/fermé) sur l'application DoorBird. Ces ports peuvent servir à relier par exemple le bouton de l'ouverture de porte externe. Cet appareil ne fournit pas d'alimentation à l'appareil connecté. L'alimentation électrique de l'ouverture de porte électrique doit être installée séparément.
15 VDC -	Entrée d'alimentation 15 VDC, pôle négatif (-). Branchez ici le fil noir de l'alimentation (adaptateur secteur), si vous n'alimentez pas l'appareil par PoE. NOTICE N'alimentez pas l'appareil simultanément au moyen d'un adaptateur secteur et par PoE.
15 VDC +	Entrée d'alimentation 15 VDC, pôle positif (+). Branchez ici le fil rouge de l'alimentation (adaptateur secteur), si vous n'alimentez pas l'appareil par PoE. NOTICE N'alimentez pas l'appareil simultanément au moyen d'un adaptateur secteur et par PoE.



Reliez l'appareil à une alimentation DoorBird en remplacement de l'alimentation PoE. Disponible sur notre boutique en ligne (Code GTIN/EAN : 4260423867314, Réf. : 423867314).



Soyez bien attentif en connectant les câbles et fils électriques. Un mauvais branchement peut endommager l'appareil.

Solution 1

CARTE SIM LTE/4G : CONNEXION INTERNET VIA LE RÉSEAU MOBILE LTE/4G



Vérifiez que :

- votre carte Micro SIM est activée au moins pour une utilisation en LTE/4G ou WCDMA/3G et pour la connexion Internet
- votre fournisseur prend en charge les appareils IoT. La carte SIM avec données seulement est recommandée. États-Unis : AT&T ou T-Mobile avec un plan SIM de données uniquement
- votre appareil se trouve dans la zone de couverture de votre opérateur de téléphonie mobile
- votre carte SIM dispose d'un crédit suffisant de débit de données (forfait mensuel de 1 Go recommandé)
- vous disposez des identifiants d'accès (code PIN) à votre carte SIM
- les antennes LTE/4G sont en place sur l'appareil
- le code PIN de votre carte SIM a été modifié sur « 0000 » pour le premier paramétrage
- vous avez inséré la carte micro-SIM dans le port pour carte SIM, contacts dorés vers le bas


Préparer la carte SIM :

Deux méthodes sont possibles pour configurer le code PIN de la carte SIM.

1a) Modifier le code PIN en « 0000 »

Réglez le code PIN de la carte SIM sur « 0000 » pour la première utilisation de la commande D410. Vous pouvez par exemple utiliser un smartphone pour modifier le code PIN de la carte SIM. Ensuite, insérez la carte micro-SIM dans le port pour carte SIM du D410, contacts dorés vers le bas.

1b) Définir le code PIN de la carte SIM par connexion LAN sur l'application DoorBird

Connectez l'appareil à Internet au moyen d'un câble réseau (voir Solution 2) et suivez les étapes. Ensuite, dans l'application DoorBird, allez sur →  → « Administration » et identifiez-vous sur l'espace administrateur pour définir le code PIN de votre carte SIM.



Pour des raisons de sécurité, nous recommandons de modifier le code PIN après la première configuration de l'appareil D410, à l'aide de l'application DoorBird.



Pour prévenir le verrouillage de la carte SIM, l'appareil effectue un premier essai du code PIN. Si vous souhaitez réessayer le code PIN de la carte SIM, maintenez la touche SET enfoncée pendant 5 secondes et suivez les instructions qui s'afficheront à l'écran.

Connexions itinérantes

Si vous souhaitez empêcher les connexions itinérantes, contactez votre fournisseur pour qu'il active le blocage des connexions en itinérance de votre carte SIM.

Messages SMS

Les SMS entrants seront transférés vers l'adresse e-mail fournie au moment de l'enregistrement de l'appareil sur l'application DoorBird

Solution 2

LAN : CONNEXION INTERNET VIA LE RÉSEAU LOCAL



Vérifiez que :

- votre câble réseau est relié à une connexion Internet active
- votre câble réseau permet la connexion PoE, IEEE 802.3 af ou supérieure (nécessaire uniquement si vous n'utilisez PAS le module d'alimentation électrique)
- votre réseau fournit une adresse IP (DHCP), par exemple par l'intermédiaire du routeur Internet

Branchez à votre appareil un câble réseau relié au port « LAN/PoE » de votre routeur Internet.

METTRE L'APPAREIL SOUS TENSION

Activez l'alimentation électrique de l'emplacement d'installation de l'appareil.

Si vous utilisez le module d'alimentation électrique (adaptateur secteur) pour alimenter l'appareil, branchez-le dans une prise murale. Si vous utilisez le PoE pour alimenter l'appareil, vérifiez que vous avez bien mis en marche le switch/injecteur PoE relié à l'appareil que vous voulez alimenter.



NOTICE N'alimentez pas l'appareil simultanément au moyen d'un adaptateur secteur et par PoE.

Vous pouvez voir si l'appareil est alimenté en contrôlant la diode témoin d'alimentation, étiquetée « PWR », qui s'allume quand l'appareil est sous tension. L'appareil est prêt à fonctionner (procédure d'initialisation, mises à jour du logiciel, etc.) quand l'écran LCD affiche l'état du réseau. Cette procédure peut prendre jusqu'à 5 minutes. Si la diode témoin de l'alimentation ne s'allume pas, vérifiez l'alimentation. Si vous utilisez une alimentation par adaptateur secteur et non le PoE, assurez-vous d'avoir respecté la polarité des branchements à l'appareil.

CONFIGURER L'APPAREIL SUR L'APPLICATION DOORBIRD

Téléchargez l'application DoorBird par DoorBird Home Automation sur votre appareil mobile, à partir de l'App Store Apple ou du Play Store de Google. La dernière version à jour du manuel de l'application est systématiquement mise en ligne sur www.doorbird.com/support.

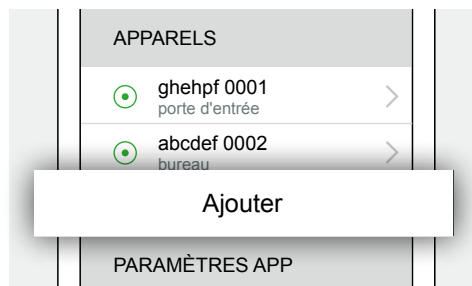


Vérifiez que l'appareil DoorBird que vous souhaitez configurer est bien en ligne :

www.doorbird.com/checkonline

Si l'appareil n'est pas en ligne, veuillez vérifier à nouveau l'état de la connexion réseau.

Si vous avez connecté l'appareil à Internet, allez sur l'application DoorBird dans → ⚙️ → « Ajouter » et cliquez sur l'icône du code QR dans le champ « Utilisateur ». Scannez le code QR présent sur le « Passeport numérique » fourni avec l'appareil.













DIODE TÉMOIN D'ALIMENTATION « PWR »

Vous pouvez voir si l'appareil est alimenté en contrôlant la diode témoin d'alimentation, étiquetée « PWR ». Cette diode témoin s'allume environ 30 à 60 secondes après que l'appareil a été mis sous tension, et reste allumée pendant 5 minutes. Pour connaître l'état de connexion de l'appareil, consultez l'afficheur d'état situé sur le dessus de l'appareil. Si la diode témoin de l'alimentation ne s'allume pas, vérifiez

l'alimentation. Si vous utilisez l'alimentation PoE, assurez-vous d'utiliser un appareil PoE compatible (<https://www.doorbird.com/poe>). Si vous utilisez une alimentation par adaptateur secteur et non le PoE, assurez-vous d'avoir respecté la polarité des branchements à l'appareil.

ÉCRAN D'ÉTAT LCD

Connexion Internet/ réseau	Pas de connexion Internet disponible	Connexion Internet disponible
	 No SIM / LAN Aucune carte SIM insérée 	 SIM Carte SIM insérée 
via carte SIM LTE/4G	 SIM Vérifiez l'étape 6 « Connexion Internet », Solution 1b « Définir le code PIN de la carte SIM par connexion LAN sur l'application DoorBird »  Enter PIN	 SIM Itinerance LTE/4G Votre carte SIM est connectée à un fournisseur d'accès en itinérance. Si vous souhaitez l'empêcher, contactez votre fournisseur pour qu'il active le blocage des connexions en itinérance de votre carte SIM. 
via le réseau local (LAN)	 No SIM / LAN Aucun réseau LAN connecté	 LAN Réseau LAN connecté

CARACTÉRISTIQUES TECHNIQUES

Dimensions	130 x 71,40 x 34,20 mm (H x L x P) 5,12 x 2,81 x 1,35 pouces (H x L x P)
Alimentation électrique	15 V CC ou PoE (Power over Ethernet) (Norme PoE IEEE 802.3 af ou supérieure)
Puissance absorbée	2 W
Conditions de service	0 à +55 °C / 32 à 131 °F Humidité relative 0 % à 85 % (sans condensation)
Classe de protection	IP 30
Montage	<ul style="list-style-type: none"> • Rail oméga/rail DIN • Fixation murale
Conformités	CE, FCC, IC, RoHS, WEEE, UKCA
Connexions et interface	<ul style="list-style-type: none"> • 2x connecteurs SMA pour les antennes • Emplacement pour carte micro-SIM (carte SIM non fournie) • Connecteur RJ45 LAN/PoE (10/100 Base-T) • 3x connecteurs à bornes à vis <ul style="list-style-type: none"> - Entrée E1 - Relais R1, R2, R3 (relais de commutation bistable, max. 24V CC/CA, 1A) - Entrée 15 V CC (+/-)
Écran d'affichage	Écran d'état LCD <ul style="list-style-type: none"> • Rétroéclairé (bleu) • Écran d'état du réseau LED PWR
LTE/4G	Quectel LTE EM05-G category 4 modem <ul style="list-style-type: none"> • FDD band B1/B2/B3/B4/B5/B7/B8/B12/B13/B14/ B18/B19/B20/B25/B26/B28/B66/B71 • TDD band B38/B39/B40/B41 • WCDMA band B1/B2/B4/B5/B6/B8/B19 • Micro SIM, qui est au moins compatible avec la technologie LTE/4G et utilisable pour l'accès à Internet. Testé pour les pays de l'UE, le Royaume-Uni, la Norvège, la Suisse, l'Amérique du Nord (AT&T et T-Mobile avec un plan SIM de données uniquement)
Bluetooth	Bluetooth 5.0 2,4 GHz (Compatible avec la télécommande Bluetooth Keyfob A8007)

Appareil mobile : Dernier iOS sur iPhone/iPad, dernier Android sur smartphone / tablette

Internet LTE/4G : Carte micro-SIM pour LTE/4G ou WCDMA/3G et utilisation d'Internet. Crédit / forfait de données suffisant (1 Go par mois recommandé). Votre fournisseur prend en charge les appareils IoT. La carte SIM avec données seulement est recommandée. États-Unis : AT&T ou T-Mobile avec un plan SIM de données uniquement. L'appareil se trouve dans la zone de couverture de votre opérateur de téléphonie mobile.

Configuration requise

Réseau local Internet (si elle n'est pas utilisée avec le réseau mobile LTE/4G); Réseau Ethernet avec protocole DHCP. Accès Internet fixe à haut débit et à large bande, DSL, câble ou fibre optique, pas de serveur proxy ou SOCKS

Extensible avec la commande de porte E/S IP A1081

Poids 222 g

EAN 4260423898257

MENTIONS LÉGALES

Généralités

1. DoorBird est une marque déposée de Bird Home Automation GmbH.
2. Apple, le logo Apple, Mac, Mac OS, Macintosh, iPad, Multi-Touch, iOS, iPhone et iPod touch sont des marques commerciales d'Apple Inc.
3. Google, Android et Google Play sont des marques commerciales de Google, Inc.
4. La marque verbale et les logos Bluetooth® sont des marques commerciales de Bluetooth SIG, Inc.
5. QR Code est une marque déposée de Denso Wave Incorporated au Japon et dans d'autres pays.
6. Tous les autres noms d'entreprises et de produits peuvent être des marques commerciales de leurs détenteurs respectifs, avec lesquels elles ont été associées.
7. Nous nous réservons le droit d'apporter des modifications à nos produits lorsque celles-ci participent au progrès technique. Dans le sillage des évolutions techniques permanentes, les produits représentés peuvent également différer visuellement des produits livrés.
8. Toutes les reproductions et tous les transferts de textes, d'illustrations et de photos issus de ce mode d'emploi, sur tout type de support, en tout ou en partie, sont exclusivement autorisés moyennant notre consentement exprès écrit.
9. La création de ce manuel d'installation est protégée par les droits d'auteur. Nous déclinons toute responsabilité pour d'éventuelles erreurs, aussi bien de contenu que de typographie (également dans les données techniques ou au sein des graphiques et schémas techniques).
10. Nos produits sont conformes aux directives techniques, aux prescriptions en matière électrique et de télécommunications en vigueur en Allemagne, dans l'Union européenne et aux États-Unis.
11. Nos produits ainsi que les composants qu'ils contiennent (circuits intégrés, logiciels, etc.) ne peuvent être utilisés qu'à des fins civiles et non militaires.

Protection et sécurité des données

1. Pour une sécurité maximale, l'appareil utilise les mêmes techniques de cryptage que la banque en ligne. Pour votre sécurité, nous ne faisons pas appel aux redirections de ports ni au service DynDNS
2. L'emplacement du centre de données pour l'accès à distance via internet au moyen d'une application se trouve obligatoirement sur le territoire de l'Union européenne si l'adresse IP déterminée de l'appareil se trouve dans l'Union européenne. Le centre de données est exploité conformément aux normes de sécurité les plus strictes.
3. Les méthodes de surveillance vidéo, audio et autres peuvent être réglementées par des lois qui varient d'un pays à l'autre. Vérifiez les lois en vigueur dans votre région avant d'installer et d'utiliser cet appareil de surveillance.

Quand il s'agit d'un appareil du type interphone vidéo, moniteur intérieur ou caméra :

- Dans de nombreux pays, les images vidéo et la voix ne peuvent être transférées que lorsqu'un visiteur a sonné à la porte (protection des données, configuration possible dans l'application)

- Exécutez le montage de sorte que le champ de détection de la caméra se limite exclusivement à la zone d'entrée directe.
- L'appareil dispose, le cas échéant, d'un historique intégré des visites et d'un capteur de mouvements. Si nécessaire, vous pouvez activer et désactiver ces fonctions.

Si nécessaire, signalez la présence de l'appareil à l'endroit adéquat et de la manière adéquate.

Veillez respecter les dispositions légales spécifiques à chaque pays concernant l'utilisation des composants et caméras de surveillance applicables sur le site d'installation. Veuillez vérifier auprès du propriétaire et de votre Syndic si vous êtes autorisé à installer et utiliser ce produit. Bird Home Automation GmbH décline toute responsabilité en cas de mauvaise utilisation ou de mauvaise configuration de ce produit, y compris dans le cas de l'ouverture non autorisée d'une porte.

Bird Home Automation ne peut être tenu responsable des dommages causés par une ancienne et mauvaise installation ou une installation incorrecte.

Les mises à jour du logiciel ou du système d'exploitation (appelées „mises à jour du firmware“) sont normalement installées automatiquement sur les produits de Bird Home Automation GmbH via internet, si cela est techniquement possible. Les mises à jour automatiques du firmware maintiennent les logiciels des produits actualisés afin que ceux-ci fonctionnent toujours de manière fiable, sûre et efficace. Grâce aux améliorations continues, des fonctions peuvent être ajoutées, étendues ou légèrement modifiées au fil du temps. Des modifications ou limitations importantes des fonctions existantes ne se produisent normalement que lorsque Bird Home Automation GmbH le juge nécessaire (par ex. en raison de la protection des données, de la sécurité, de la stabilité des données ou encore, afin de tenir celles-ci à jour). Lorsqu'une mise à jour du firmware est disponible, les serveurs de Bird Home Automation GmbH la distribuent en général automatiquement à tous les produits compatibles connectés à internet ou aux serveurs de Bird Home Automation GmbH. Ce processus est graduel et peut prendre plusieurs semaines. Dès qu'un produit reçoit une mise à jour du firmware, le système s'installe et redémarre généralement par lui-même. Les mises à jour du firmware installées ne peuvent pas être annulées. Etant donné que les produits et logiciels de Bird Home Automation GmbH ne sont pas explicitement des produits réservés au client, celui-ci ne peut pas refuser une mise à jour automatique si le produit est connecté à internet ou au serveur de Bird Home Automation GmbH.

Éditeur

Bird Home Automation GmbH
Umlandstraße 165
10719 Berlin
Allemagne

Web: www.doorbird.com
Email: hello@doorbird.com

Il est possible que la présente notice contienne des erreurs typographiques ou des erreurs d'impression. Les informations contenues dans cette notice sont contrôlées régulièrement et les corrections sont publiées dans la prochaine édition. Nous déclinons toute responsabilité en cas d'erreurs techniques ou d'impression et par rapport à leurs conséquences.

MANUAL DE INSTALACIÓN

Lee estas instrucciones detenidamente antes de empezar a usar cualquiera de los componentes. Guárdalo a buen recaudo para poder consultarlo más adelante en caso necesario. Si le das el aparato a otra persona para que lo use, entrégale también el manual de uso.

En www.doorbird.com/es/support siempre encontrarás la última versión del manual de instalación.

Para simplificar la lectura, utilizaremos el término «aparato» para referirnos al producto «controlador de puerta inteligente D410», y «dispositivo móvil» para hablar de un smartphone o tableta.

Responsabilidad

En la preparación de este documento se ha puesto el máximo cuidado. Por favor informe a Bird Home Automation GmbH de cualquier inexactitud u omisión. Bird Home Automation GmbH no se hace responsable de cualquier problema técnico o errores tipográficos y se reserva el derecho de hacer cambios en el producto y manuales sin previo aviso. Bird Home Automation GmbH no da ninguna garantía de cualquier tipo con respecto al contenido de este documento, incluyendo pero no limitado a, las garantías implícitas de comerciabilidad y adecuación para un propósito en particular. Bird Home Automation GmbH tampoco será responsable, ni se responsabiliza de los daños incidentales o consecuentes en relación con el mobiliario, funcionamiento o uso de este material. Este producto solo debe ser utilizado para el propósito para el que fue creado.

Modificaciones de equipos

Este equipo debe instalarse y utilizarse de acuerdo con las instrucciones que figuran en la documentación del usuario. Este equipo no contiene componentes que requieren servicio por parte del usuario. Los cambios o modificaciones no autorizados en el equipo invalidarán todas las certificaciones y aprobaciones reglamentarias aplicables.

Símbolos utilizados



Peligro: Indica una situación peligrosa que, si no se evita, causará la muerte o lesiones graves.



Advertencia: Indica una situación peligrosa que, si no se evita, podría causar la muerte o lesiones graves.



Precaución: Indica una situación peligrosa que, si no se evita, puede resultar en lesiones leves o moderadas.



Aviso: Indica una situación que, si no se evita, podría resultar en daños a la propiedad.



Importante: Indica información importante y esencial para que el producto funcione correctamente.



Nota: Indica información útil que ayuda a sacar el máximo provecho del producto.

Información sobre los peligros



ADVERTENCIA

- Los trabajos de montaje, instalación y mantenimiento de los dispositivos eléctricos sólo pueden ser realizados por un electricista cualificado. El incumplimiento de esta puede suponer un riesgo de daños graves para la salud o de lesiones mortales debido a de descarga eléctrica.
- Aparatos con conexión de 110-240 V: El aparato sólo puede conectarse a una toma de corriente de fácil acceso. El adaptador de red debe ser sacado si se produce un peligro.
- Para la alimentación, utilice únicamente el adaptador de red original suministrado con el aparato, fuentes de alimentación de carril DIN disponibles por separado o un conmutador PoE/injector PoE recomendado, tal y como se recomendados en este manual.
- Debido a la carga electrostática, el contacto directo con la placa de circuitos puede provocar la destrucción del dispositivo. Por lo tanto, debe evitarse en todo momento el contacto directo con la placa de circuitos.
- Respete las normas EN 60065 y EN 60950 y EN 62368.
- No utilice el aparato si hay signos de daños en la carcasa, los elementos de control o las tomas de corriente, por ejemplo, o si muestra un mal funcionamiento. Si tiene alguna dudas, haga revisar el aparato por un experto autorizado.
- No abra el aparato. Esto anula la garantía del aparato. El aparato no contiene ninguna partes que puedan ser mantenidas por el usuario. En el caso de que se produzca un error, haga que el aparato revisado por un experto autorizado.
- Por razones de seguridad, aprobación y licencia (CE/FCC/IC, etc.), no se permite el cambio y/o modificación no autorizada del dispositivo.
- El aparato no es un juguete: no permita que los bebés y los niños jueguen con él.
- Para evitar el peligro de asfixia, mantenga los materiales de embalaje lejos de los bebés y los niños. Las películas/bolsas de plástico, los trozos de poliestireno, etc. no son un juguete y pueden ser peligrosos en manos de un niño. Elimine los materiales de embalaje inmediatamente después de retirar el producto. No reutilice los materiales de embalaje.
- Coloque siempre los cables de tal manera que no se conviertan en un riesgo para las personas y los animales domésticos.



WARNING

- El voltaje se aplica a las piezas dentro del equipo. No toque ninguna pieza que no esté asociada con la instalación, cableado o conexión, ya que podría resultar en una descarga eléctrica.
- En aparatos que no estén marcados como resistentes a la intemperie: mantenga el aparato lejos del agua o de cualquier otro líquido.
- No instale ni realice ninguna terminación de cable mientras la fuente de alimentación esté conectada a la red. Puede causar un choque eléctrico o dañar el aparato.
- Antes de conectar la alimentación, asegúrese de que los cables no estén cruzados o en cortocircuito, para evitar el riesgo de incendio o choque eléctrico.
- El alto voltaje puede estar presente internamente. No abra el dispositivo, podría resultar en una descarga eléctrica.
- El aparato no es a prueba de explosión. No lo instale ni utilice cerca de gases o materiales inflamables, podría producirse un incendio o una explosión.
- No instale dos fuentes de alimentación en paralelo a una sola entrada, podría producirse un incendio o daños en el dispositivo. Asegúrese de conectar una sola fuente de alimentación al aparato.
- No conecte ningún terminal del dispositivo a una línea de alimentación de AC, ya que podría producirse un incendio o una descarga eléctrica.
- Evite oprimir o estropear el cable de AC. Si el cable de AC está fracturado, podría producirse un incendio o una descarga eléctrica.
- No conecte o desenchufe el aparato con las manos mojadas, ya que podría resultar en una descarga eléctrica.
- No introduzca metal o material inflamable en el dispositivo, podría ocasionar un incendio, una descarga eléctrica o problemas con el aparato.
- El cableado existente, como el cableado de timbre, etc., puede contener electricidad AC de alto voltaje, esto podría ocasionar daños en el dispositivo o descargas eléctricas. El cableado y la instalación deben ser realizados por un electricista cualificado.
- Cuando monte el aparato en una pared o techo, instale el dispositivo en un lugar adecuado, evite lugares donde pueda ser golpeado, podría ocasionar lesiones.
- En los aparatos con terminales a tierra, conéctelos a tierra, de lo contrario, podría producirse un incendio o una avería.
- En los aparatos con vidrio acrílico o verdadero, no ejerza presión sobre este material, si se fracturara podría ocasionar lesiones.
- En los aparatos con LCD, si la pantalla LCD

está perforada, evite el contacto con el cristal líquido del interior, podría ocasionar lesiones. En caso de accidente haga gárgaras, enjuague la boca, ojos o piel con abundante agua durante al menos 15 minutos y consulte a su médico.

- No coloque nada sobre el aparato ni lo cubra con un paño, silicona, pegamento, recubrimiento, cubiertas separadas, etc., podría ocasionar un incendio o problemas con el dispositivo.
- No instale el aparato en ninguna de las siguientes ubicaciones, podría ocasionar un incendio, una descarga eléctrica o problemas con el dispositivo.
 - Lugares bajo luz solar directa o lugares cercanos a equipos de calefacción que varían en temperatura.
 - Lugares sujetos a polvo, aceite, productos químicos, sulfuro de hidrógeno (muelles calientes).
 - Lugares sujetos a condiciones extremas de humedad, como baños, bodegas, invernaderos, etc.
 - Lugares donde la temperatura es muy baja, como el interior de un área refrigerada o frente a un aire acondicionado.
 - Lugares sujetos a vapor o humo (p. ej., cerca de superficies de calefacción o cocción).
 - Cerca de los dispositivos generadores de ruido, como los interruptores de regulación de intensidad o los aparatos eléctricos inversores.
 - Lugares sujetos a vibraciones o impactos frecuentes.
- En los aparatos con intercomunicador, asegúrese de realizar una prueba de llamadas con bajo volumen de audio en ambos dispositivos de intercomunicación. Una llamada repentina, etc. podría sonar causando, por ejemplo, daños en su oído.
- Si el aparato no funciona correctamente, desenchufe la fuente de alimentación.
- Todos los dispositivos que no están marcados como a prueba de la intemperie están diseñados para uso en interiores exclusivamente. No lo use al aire libre.
- En aparatos marcados a prueba de intemperie: No rociar con agua a alta presión. Pueden surgir problemas con el dispositivo.
- No asumimos ninguna responsabilidad por daños materiales o personales
- Para aparatos suministrados con una fuente de alimentación: de conformidad con el artículo 33 del Reglamento REACH (Reglamento [CE] n.º 1907/2006), informamos de que el contacto metálico de la clavija del adaptador de corriente contiene una concentración de >0,1 % de la sustancia con el número CE 231-100-4 (plomo), que figura en la lista del Reglamento REACH. Si el producto se utiliza para su uso previsto, no se requieren medidas para usarlo de forma segura debido a la concentración de plomo.

Instrucciones de seguridad

NOTICE

- El aparato debe utilizarse de acuerdo con las leyes y normativas locales.
- Guarde el aparato en un lugar seco y ventilado.
- Evite exponer el aparato a golpes o presiones elevadas.
- No instale el aparato en soportes, superficies o paredes inestables. Asegúrese de que el material sea lo suficientemente fuerte como para soportar el peso del dispositivo.
- Utilice únicamente las herramientas correspondientes cuando instale el dispositivo. El uso de una fuerza excesiva con las herramientas podría dañar el aparato.
- No utilice productos químicos, agentes cáusticos o limpiadores en aerosol.
- Utilice un paño limpio y seco para la limpieza.
- Utilice únicamente accesorios que cumplan las especificaciones técnicas del aparato. Estos pueden ser proporcionados por Bird Home Automation GmbH.
- Utilice sólo piezas de repuesto suministradas o recomendadas por Bird Home Automation GmbH.
- No intente reparar el aparato por su cuenta, contacte a Bird Home Automation GmbH para asuntos de servicio técnico.
- Mantenga el aparato a más de 1 m (3.3') de distancia del microondas, radio, TV, enrutador inalámbrico y cualquier otro dispositivo inalámbrico.
- En los aparatos con intercomunicador, altavoz incorporado o micrófono incorporado o funciones de transmisión de señales, mantenga los cables a más de 30 cm (12") alejados del cableado de AC 100-240 V, podría producirse ruido inducido por la AC y/o mal funcionamiento del dispositivo.
- Instale el aparato en un área accesible para futuras inspecciones, reparaciones y mantenimiento.
- Si el aparato se usa cerca de un teléfono móvil, es posible que funcione mal.
- El aparato puede dañarse si se cae, manipular con cuidado.
- El aparato se vuelve inoperante durante un corte de corriente eléctrica.
- En los aparatos con intercomunicador, altavoz incorporado o micrófono incorporado, en áreas donde las antenas de estaciones de radiodifusión celular o de radio/televisión están cerca, el dispositivo puede verse afectado por interferencias de radiofrecuencia.
- En los aparatos con pantalla LCD, hay que tener en cuenta de antemano que el panel LCD, aunque fabricado con técnicas de muy alta precisión, tendrá inevitablemente una pequeña parte de sus elementos de imagen siempre iluminados o no iluminados. Esto no se considera

un mal funcionamiento del dispositivo.

- En los aparatos con intercomunicador, debido al sonido ambiental alrededor del dispositivo, puede dificultar levemente la comunicación, pero esto no es un mal funcionamiento.
- En los aparatos con nombre de usuario/contraseña, el usuario/contraseña para acceder al dispositivo es responsabilidad del cliente. Asegúrese de usar una contraseña que no pueda ser fácilmente descifrada por un tercero. Le recomendamos que cambie la contraseña regularmente.
- En ningún caso seremos responsables de los daños que se produzcan debido a fallos en el suministro eléctrico, equipos de red o dispositivos terminales; fallos debidos a proveedores de Internet y proveedores de redes móviles; fallos tales como líneas desconectadas y otras pérdidas en la comunicación, lo que imposibilita la prestación de este servicio, así como en modo alguno retrasar este servicio debido a cualquier otra causa ajena a nuestra responsabilidad; o si se produce un error o falta de datos durante la transmisión.

Precaución de FCC:

Cualquier cambio o modificación no aprobada expresamente por la parte responsable del cumplimiento podría anular la autoridad del usuario para operar el equipo. Este dispositivo cumple con la parte 15 de las Reglas de la FCC. El funcionamiento está sujeto a las dos condiciones siguientes: (1) este dispositivo no puede causar interferencias perjudiciales y (2) este dispositivo debe aceptar cualquier interferencia recibida, incluidas aquellas que puedan causar un funcionamiento no deseado.

Nota: Este equipo ha sido probado y cumple con los límites para un dispositivo digital de Clase B, de conformidad con la parte 15 de las Reglas de la FCC. Estos límites están diseñados para proporcionar una protección razonable contra interferencias perjudiciales en una instalación residencial. Este equipo genera, utiliza y puede irradiar energía de radiofrecuencia y, si no se instala y utiliza de acuerdo con las instrucciones, puede causar interferencias perjudiciales en las comunicaciones de radio. Sin embargo, no hay garantía de que no se produzcan interferencias en una instalación en particular. Si este equipo causa interferencias perjudiciales en la recepción de radio o televisión, lo que se puede determinar apagando y encendiendo el equipo, se recomienda al usuario que intente corregir la interferencia mediante una o más de las siguientes medidas:

- Reorientar o reubicar la antena receptora.
- Aumentar la separación entre el equipo y el receptor.
- Conecte el equipo a una toma de corriente en un circuito diferente al que está conectado el

receptor.

- Consulte al distribuidor o a un técnico experimentado de radio / TV para obtener ayuda.

Este equipo cumple con los límites de exposición a la radiación de la FCC establecidos para un entorno no controlado. Este transmisor no debe colocarse ni funcionar junto con ninguna otra antena o transmisor.

Declaración IC

ES: Este dispositivo cumple la(s) norma(s) RSS exenta(s) de licencia de Industry Canada. Su funcionamiento está sujeto a las dos condiciones siguientes

(1) este dispositivo no puede causar interferencias, y

(2) este dispositivo debe aceptar cualquier interferencia, incluidas las interferencias que puedan causar un funcionamiento no deseado del dispositivo.

Este aparato digital de Clase B cumple la norma canadiense ICES-003.

Exposición a la radiación IC: Este equipo cumple con los límites de exposición a la radiación ISEDC definidos para un entorno controlado.

Este transmisor no debe colocarse ni utilizarse junto con ninguna otra antena o transmisor.

saber donde se encuentra el punto de recolección más cercano. En caso de una eliminación incorrecta de estos desechos se podrán aplicar sanciones, de acuerdo con la legislación nacional.

Informaciones sobre la eliminación de desechos en los países que no forman parte de la Unión Europea

Este símbolo solamente es válido dentro de la Unión Europea. Para eliminar este producto, póngase por favor en contacto con su autoridad local o con su distribuidor para informarse sobre el método correcto de eliminación.

Transporte



Quando transporte el aparato, utilice el embalaje original o un embalaje equivalente para evitar daños en el aparato.

Información de garantía

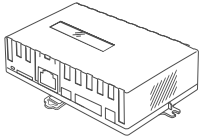
Para obtener información sobre la garantía del aparato, consulte www.doorbird.com/warranty



Informaciones sobre la eliminación de desechos para los usuarios de aparatos eléctricos y electrónicos (aparatos domésticos)

Este símbolo, colocado sobre los productos y/o sobre los documentos que acompañan los productos, significa que los productos eléctricos o electrónicos usados no deben ser desechado en la basura doméstica. Para que estos productos sean tratados, recuperados y reciclados debidamente, por favor lívelos a los lugares de recolección designados donde podrá entregarlos gratuitamente. De forma alternativa, en algunos países es posible devolver los productos a los distribuidores locales al comprar un producto nuevo equivalente. Con la eliminación correcta del producto, usted esta contribuyendo a conservar recursos valiosos y a prevenir cualquier posible efecto negativo para la salud humana y el medio ambiente que podría surgir en el caso contrario. Por favor póngase en contacto con su autoridad local para

COMPONENTES*



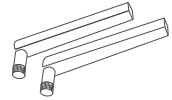
1 controlador de puerta inteligente D410



1 manual de instalación



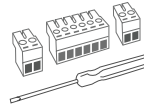
1 guía de inicio rápido con pasaporte digital



2 antenas LTE/4G



1 fuente de alimentación (adaptador de corriente) con hasta cuatro adaptadores específicos de países



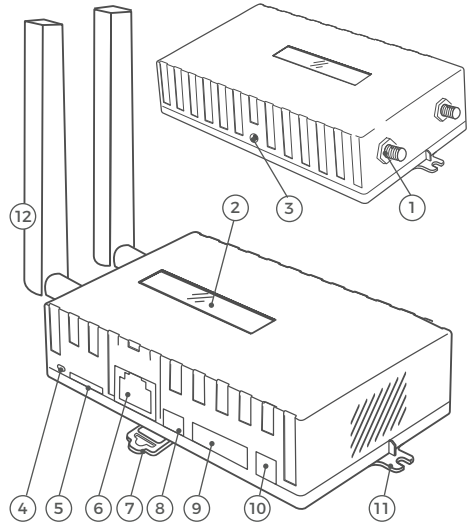
3 conectores terminales de tornillo y 1 destornillador



2 tornillos Phillips de cabeza avellanada y tacos

APARATO

- 1) Antenas
2 conectores SMA para antenas LTE/4G
- 2) Pantalla de estado LCD
Pantalla LCD retroiluminada azul para estado y análisis rápido de errores
- 3) Botón de ajuste SET
Botón para ajustar el aparato a otros modos de configuración, p. ej., para restablecer los ajustes de fábrica del aparato.
- 4) LED PWR
Led de encendido y diagnóstico para mostrar el estado actual del aparato
- 5) Ranura para tarjeta SIM
Ranura para tarjeta micro-SIM (tarjeta SIM no incluida)
- 6) LAN/PoE
Si no se usa con red de telefonía móvil LTE/4G: jack RJ45 para conectar un cable de red (cat. 5 o superior) con el segmento de red que está conectado al switch/rúter que proporciona una conexión a internet activa. Usa este puerto para alimentar el aparato con PoE como alternativa a la fuente de alimentación.
- 7) Conector de carril DIN
Conexión para clip de carril DIN para montaje en carril DIN
- 8) E1 E1
Enchufe terminal de tornillo para conectar una entrada externa



- 9) R1R1/R2 R2/R3 R3
Enchufe terminal de tornillo para conectar tres relés biestables con enclavamiento (máx. 24 V CC/CA, 1 A)
- 10) Fuente de alimentación 15 V CC +/-, 1 A
Enchufe terminal de tornillo para conectar una fuente de alimentación de DoorBird (disponible * por separado) al aparato como alternativa a PoE
- 11) Soportes de montaje mural
Soporte de montaje mural, tornillos y tacos incluidos
- 12) Antenas LTE/4G

VÍDEOS

¿Necesitas ayuda con la instalación? Echa un vistazo a nuestros vídeos de instalación en <http://www.doorbird.com/es/support>

INSTALACIÓN

Todos los pasos que se describen a continuación debe llevarlos a cabo un adulto capacitado con el debido cuidado y respetando todas las normas de seguridad aplicables. Ponte en contacto con nosotros directamente si necesitas ayuda de un especialista.



Asegúrate de que todos los cables que utilices para la instalación estén intactos en toda su longitud y estén homologados para este tipo de uso.

1

DESCONEXIÓN



Desconecta la alimentación de todos los cables que conduzcan a la ubicación de montaje, es decir, el timbre de la puerta, el portero automático eléctrico, la fuente de alimentación del aparato, etc.

3

MONTAJE

El aparato se puede montar en la pared con el soporte de montaje mural, los tornillos y los tacos incluidos o bien en un carril DIN con el adaptador para carril DIN que viene con el aparato.

Opción 1

MONTAJE MURAL



Asegúrate de no dar con ningún objeto (p. ej., cables) cuando hagas los taladros.

Si la pared de la casa no es de madera, realiza taladros para los tacos de 5 mm de diámetro en la pared y, a continuación, inserta los tacos en los orificios. Si la pared de la casa es de madera, normalmente no necesitarás tacos. Hay tacos especiales para montar el aparato en una pared aislante, como, p. ej., los tacos aislantes de Fischer. Pregunta al fabricante de tu material aislante qué tacos te recomienda.

Velocidad y componentes de red

Asegúrate de que la velocidad de carga de tu conexión a internet sea como mínimo de 0,5 Mbits/s. La experiencia de usuario será tan buena como sean la velocidad y la estabilidad de la red, así como la calidad de los componentes de red, como el rúter de internet y los puntos de acceso o repetidores wifi. Así pues, asegúrate de que tus componentes no tengan una antigüedad superior a dos años, sean de un fabricante de renombre y tengan instalado el firmware más reciente.

Si no se cumplen estos requisitos, es posible que, por ejemplo, el rendimiento del sonido y el vídeo sea bajo o las notificaciones push se retrasen o ni siquiera lleguen a tu smartphone o tableta.

Requisitos:

Internet de alta velocidad (línea fija): DSL, cable o fibra óptica

Red: Ethernet con DHCP

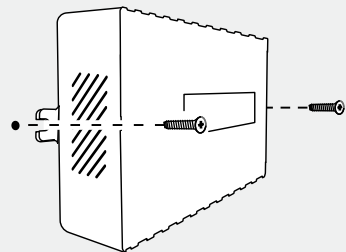
2

ELECCIÓN DE LA UBICACIÓN DE MONTAJE



El aparato cuenta con el certificado IP30 (no resistente al agua). Si lo quieres utilizar al aire libre, deberás protegerlo con una carcasa apropiada que impida las interferencias de señales de móvil o radio.

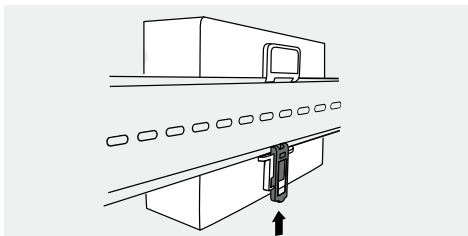
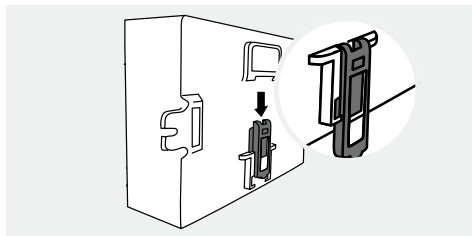
El cable de red entre el aparato y el switch PoE, el inyector PoE o el rúter de internet no debe tener una longitud superior a 80 metros/262 pies.



Opción 2

MONTAJE EN CARRIL DIN

El aparato se puede montar en un carril DIN. Usa el adaptador para carril DIN que hay en la parte trasera de la unidad.



4

FUENTE DE ALIMENTACIÓN

El aparato se puede alimentar mediante PoE (Power over Ethernet) o con fuentes de alimentación de DoorBird disponibles aparte (fuente de alimentación con enchufe de pared o fuente de alimentación de carril DIN). El aparato no funciona con batería.



Desconecta todos los demás aparatos DoorBird de la red de la fuente de alimentación antes de poner en marcha el controlador de puerta inteligente D410 de DoorBird.

Opción 1 (red vía LTE/4G)

SUMINISTRO ELÉCTRICO CON UNA FUENTE DE ALIMENTACIÓN



Para alimentar el aparato con un adaptador de corriente se necesitan dos cables aislados.



No enchufes la fuente de alimentación a la toma de corriente todavía. Usa únicamente la fuente de alimentación que viene con el aparato o una fuente de alimentación para carril DIN, que puedes comprar en nuestra tienda por separado, ya que estas están eléctricamente estabilizadas específicamente y están equipadas con un dispositivo de reducción de interferencias de sonido integrado. Otras fuentes de alimentación podrían destruir el aparato u ofrecer una calidad de transmisión baja.

Opción 2 (red vía LTE/4G)

SUMINISTRO ELÉCTRICO CON UNA FUENTE DE ALIMENTACIÓN PARA CARRIL DIN (DISPONIBLE EN LA TIENDA DE DOORBIRD)



En nuestra tienda de internet ofrecemos fuentes de alimentación para carril DIN que puede instalar un especialista.

Opción 3 (red vía Ethernet)

FUENTE DE ALIMENTACIÓN VÍA INYECTOR O SWITCH POE (POWER OVER ETHERNET)



Para alimentar el aparato con un switch PoE (p. ej., D-Link DGS-1008P) o un inyector PoE (p. ej., inyector PoE Gigabit A1093 de DoorBird) de conformidad con la norma PoE IEEE 802.3af modo A, se deben usar los cuatro hilos con los números 1, 2, 3 y 6 de un cable cat. 5 o superior. Asegúrate de usar un cable de red de buena calidad de cat. 5 o superior que tenga un apantallamiento apropiado (Screened Foiled Twisted Pair [S/FTP o SFTP]), con el apantallamiento conectado al apantallamiento metálico externo del conector RJ45 (8P8C). Si usas PoE como fuente de alimentación, los cuatro hilos para PoE conforman el enlace de datos simultáneamente.

El aparato no arrancará si el switch o inyector PoE no son compatibles con la norma PoE IEEE 802.3af modo A (ver «LED PWR»).



1. Desconecta el switch o inyector PoE de la red eléctrica.
2. Tiende el cable de red hasta el lugar de instalación del aparato.

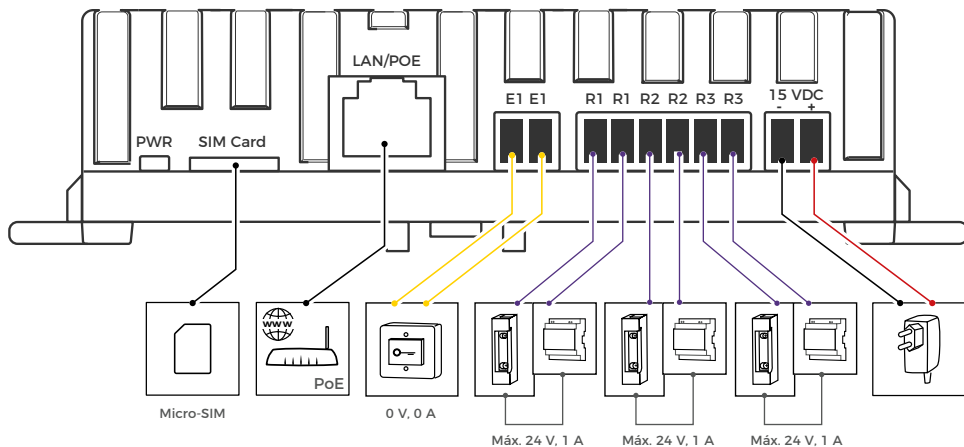
Aquí encontrarás más información sobre PoE:
<https://www.doorbird.com/es/poe>



No podrás alimentar el aparato mediante PoE si utilizas LTE/4G para la conexión a internet.

Los cables e hilos se pueden conectar de forma cómoda y segura al aparato mediante el terminal de conexión de tornillo con etiquetas. Ahora ya puedes conectar todos los cables e hilos necesarios al aparato.

NOTICE Retira todos los cables e hilos de los puertos de conexión del aparato que no necesites.



PUERTO	DESCRIPCIÓN
SIM Card	Ranura para tarjeta micro-SIM (no incluida) Inserta la tarjeta micro-SIM en la ranura con los contactos dorados hacia abajo.
LAN/PoE	Si no se usa una red de telefonía móvil LTE/4G: jack RJ45 para conectar un cable de red estándar de cat. 5 o superior procedente del rúter de internet/switch PoE/injector PoE (PoE IEEE 802.3af o superior). NOTICE No alimentes el aparato a través del suministro eléctrico de la fuente de alimentación (adaptador de corriente) y la fuente de alimentación vía PoE al mismo tiempo.
E1 E1	Entrada externa 1, máx. 0 V CC/CA, 0 A. Estos puertos se pueden utilizar para conectar un botón de portero automático externo, por ejemplo. NOTICE No añadas voltaje adicional en estos puertos.
R1 R1, R2 R2, R3 R3	Relé biestable con enclavamiento, máx. 24 V CC/CA, 1 A. Característica de seguridad: el relé mantiene este estado, incluso en caso de pérdida de potencia. Puedes configurar el estado predeterminado del relé (abierto/cerrado) a través de la aplicación DoorBird. Estos puertos se pueden utilizar para conectar un portero automático eléctrico, por ejemplo. El aparato no suministra electricidad al aparato conectado. La fuente de alimentación del portero automático eléctrico se debe instalar aparte.
15 VDC -	Entrada de fuente de alimentación de 15 V CC, polo negativo (-). Conecta el cable negro de la fuente de alimentación (adaptador de corriente) aquí si no vas a alimentar el aparato con PoE. NOTICE No alimentes el aparato a través del suministro eléctrico de la fuente de alimentación (adaptador de corriente) y la fuente de alimentación vía PoE al mismo tiempo.

15 VDC +

Entrada de fuente de alimentación de 15 V CC, polo positivo (+). Conecta el cable rojo de la fuente de alimentación (adaptador de corriente) aquí si no vas a alimentar el aparato con PoE.



NOTICE No alimentes el aparato a través del suministro eléctrico de la fuente de alimentación (adaptador de corriente) y la fuente de alimentación vía PoE al mismo tiempo.



Usa una fuente de alimentación de DoorBird como alternativa a PoE. La encontrarás en nuestra tienda de internet (GTIN/EAN: 4260423867314, ref.: 423867314).



Ten cuidado al conectar los cables. Un error de conexión de los cables podría dañar el aparato.

6

CONEXIÓN A INTERNET

Opción 1

TARJETA SIM LTE/4G: CONEXIÓN A INTERNET VÍA RED DE TELEFONÍA MÓVIL LTE/4G



Asegúrate de lo siguiente:

- La tarjeta Micro SIM está habilitada como mínimo para LTE/4G o WCDMA/3G e internet.
- Testeado para países de la UE, Reino Unido, Noruega, Suiza, Norteamérica (AT&T y T-Mobile con tarifa SIM de datos)
- El aparato está en el área de cobertura de tu operador de telefonía móvil.
- La tarjeta SIM tiene un volumen de datos suficiente (1 GB al mes recomendado).
- Tienes los datos de acceso (PIN) a la tarjeta SIM.
- Las antenas LTE/4G están montadas en el aparato.
- El PIN de la tarjeta SIM se ha cambiado a «0000» para la configuración inicial.
- Has insertado la tarjeta micro-SIM en la ranura con los contactos dorados hacia abajo.

Preparación de la tarjeta SIM:

Hay dos maneras de configurar el PIN de la tarjeta SIM.

1a) Cambiar PIN por «0000»

Para la configuración inicial del D410, cambia el PIN de la tarjeta SIM por «0000». Por ejemplo, puedes utilizar el teléfono para cambiarlo. A continuación, inserta la tarjeta micro-SIM en la ranura del D410 con los contactos dorados hacia abajo.

1b) Configurar PIN de la tarjeta SIM vía LAN y aplicación DoorBird

Conecta el aparato a internet mediante el cable de red (ver opción 2) y sigue los pasos. A continuación, ve a la aplicación DoorBird → → «Administración» e inicia sesión en el área de administración para configurar el PIN de tu tarjeta SIM.



Por motivos de seguridad, recomendamos cambiar el PIN después de realizar la configuración inicial del D410 desde la aplicación DoorBird.



Para evitar que la SIM se bloquee, el dispositivo prueba el PIN una vez. Para volver a probar el PIN de la SIM, mantenga pulsada la tecla SET durante 5 segundos y siga las indicaciones de la pantalla.

Mensajes SMS

Los mensajes SMS entrantes se redirigirán a la dirección de correo electrónico que indicaste al registrar el aparato en la aplicación DoorBird.

Conexiones de itinerancia

Si quieres evitar las conexiones de itinerancia, ponte en contacto con tu operador para activar un bloqueo de itinerancia en tu tarjeta SIM.

Opción 2

LAN: CONEXIÓN A INTERNET VÍA RED LOCAL



Asegúrate de lo siguiente:

- Tu cable de red tiene acceso a internet.
- Tu red proporciona una dirección IP (DHCP), p. ej., vía rúter de internet.
- Tu cable de red proporciona PoE, IEEE 802.3af o superior (solo necesario si NO utilizas la fuente de alimentación).

Conecta el aparato con un cable de red que esté conectado al rúter en el puerto «LAN/PoE».

7

ACTIVACIÓN DEL APARATO

Conecta la alimentación en el lugar de instalación.

Si usas la fuente de alimentación (adaptador de corriente) para alimentar el aparato, enchúfala a una toma de corriente. Si usas PoE para alimentar el aparato, enciende el switch/injector PoE que hayas conectado al aparato.



No alimentes el aparato a través del suministro eléctrico de la fuente de alimentación (adaptador de corriente) y la fuente de alimentación vía PoE al mismo tiempo.

Puedes comprobar si el aparato está recibiendo corriente comprobando el led PWR, que se enciende después de conectar el aparato a la alimentación. El aparato estará listo para funcionar (proceso de arranque, actualizaciones de software, etc.) cuando la pantalla LCD muestre el estado de la red. Esto puede tardar hasta cinco minutos. Si el led PWR no se enciende, inspecciona la fuente de alimentación. Si utilizas una fuente de alimentación de pared y no PoE, comprueba si has conectado los polos positivo y negativo correctamente en el aparato.


8

CONFIGURACIÓN DEL APARATO CON LA APLICACIÓN DOORBIRD

Descárgate la aplicación DoorBird de Bird Home Automation en el dispositivo móvil desde la App Store de Apple o la Google Play Store. En www.doorbird.com/es/support siempre encontrarás la última versión del manual de la aplicación.



Asegúrate de que el aparato DoorBird que quieras configurar tenga conexión a internet: www.doorbird.com/checkonline. Si no la tiene, comprueba la conexión de red otra vez.

Cuando hayas conectado el aparato a internet, abre la aplicación DoorBird y ve a  → «Añadir» y haz clic en el icono del código QR del campo «Usuario». Escanea el código QR de usuario que encontrarás en el pasaporte digital (Digital Passport) que venía con el aparato.









LED PWR

Puedes comprobar si el aparato está recibiendo corriente comprobando el led PWR. El led PWR se enciende entre 30 y 60 segundos después de que el aparato se haya conectado a la corriente y permanece encendido durante cinco minutos. Para ver el estado de conexión del aparato, consulta la pantalla de estado de la parte superior. Si el led

PWR no se enciende, inspecciona la fuente de alimentación. En el caso de PoE, utiliza un dispositivo PoE compatible (<https://www.doorbird.com/es/poe>). Si utilizas una fuente de alimentación de pared y no PoE, comprueba si has conectado los polos positivo y negativo correctamente en el aparato.

PANTALLA DE ESTADO LCD

Conexión de internet/red	No hay conexión a internet	Conexión a internet disponible
Vía tarjeta SIM LTE/4G	 No SIM / LAN Ninguna SIM conectada	 SIM SIM conectada
	 SIM Consulta el paso 6 «Conexión a internet», opción 1b «Configurar PIN de la tarjeta SIM vía LAN y aplicación DoorBird».	 SIM Roaming LTE/4G La tarjeta SIM está conectada a un proveedor de itinerancia. Para evitarlo, ponte en contacto con tu operador para activar un bloqueo de itinerancia en tu tarjeta SIM.
Vía red local (LAN)	 No SIM / LAN Ninguna LAN conectada	 LAN LAN conectada

DATOS TÉCNICOS

Dimensiones 130 × 71,40 × 34,20 mm (Al × An × P)
5,12 × 2,81 × 1,35 in (Al × An × P)

Alimentación 15 V CC o Power over Ethernet
(PoE IEEE 802.3af o superior)

Consumo eléctrico 2 W

Condiciones de funcionamiento De 0 a +55 °C/de 32 a 131 °F
Humedad relativa del 0 al 85 %
(sin condensación)

Grado de protección IP30

Montaje

- Carril DIN
- Montaje mural

Conformidades CE, FCC, IC, RoHS, WEEE, UKCA

Conectores e interfaz

- 2 conectores de antena SMA
- Ranura para tarjeta micro-SIM (tarjeta SIM no incluida)
- Toma RJ45 LAN/PoE (10/100 Base-T)
- 3 terminales de tornillo
 - Entrada E1
 - Relés R1, R2, R3
 - (relés biestables con enclavamiento, máx. 24 V CC/CA, 1 A)
 - Entrada de 15 V CC (-/+)

Pantalla

- Pantalla de estado LCD
- Retroiluminación (azul)
- Pantalla de estado de la red

LED PWR

LTE/4G

- Quetcel LTE EM05-G category 4 modem
- Banda FDD B1/B2/B3/B4/B5/B7/B8/B12/B13/B14/B18/B19/B20/B25/B26/B28/B66/B71
- Banda TDD B38/B39/B40/B41
- Banda WCDMA B1/B2/B4/B5/B6/B8/B19
- Micro-SIM, como mínimo habilitada para LTE/4G e internet

Probado para países de la UE, Reino Unido, Noruega y Suiza (AT&T y T-Mobile con plan SIM de solo datos)

Bluetooth Bluetooth 5.0 2,4 GHz (compatible con el mando a distancia de llavero con Bluetooth A8007)

Requisitos del sistema

Terminal móvil: iOS actualizado en el iPhone/iPad, Android actualizado en el smartphone/tableta

Internet LTE/4G: tarjeta micro-SIM para LTE/4G o WCDMA/3G e internet. Saldo/volumen de datos suficiente (1 GB al mes recomendado). Tu proveedor admite dispositivos IoT. SIM de solo datos recomendada. USA: AT&T or T-Mobile with a data only SIM plan. El aparato se debe encontrar en la zona de cobertura del operador de telefonía móvil.

Internet LAN (si no se usa con red de telefonía móvil LTE/4G): red Ethernet con DHCP
Conexión a internet de banda ancha en red fija de alta velocidad, DSL, cable o fibra óptica, sin servidor SOCKS ni proxy

Ampliable con el controlador de puerta IP E/S A1081 de DoorBird

Peso 222 g

EAN 4260423898257

NOTAS LEGALES

Observaciones generales

1. DoorBird es una marca registrada de Bird Home Automation GmbH.
2. Apple, the Apple logo, Mac, Mac OS, Macintosh, iPad, Multi-Touch, iOS, iPhone and iPod touch son marcas registradas de Apple Inc.
3. Google, Android y Google Play son marcas comerciales de Google, Inc.
4. La marca denominativa y los logotipos Bluetooth® son marcas registradas de Bluetooth SIG, Inc.
5. QR Code es una marca registrada de Denso Wave Incorporated en Japón y otros países.
6. Todos los demás nombres de empresas y productos pueden ser marcas comerciales de las respectivas empresas con que están asociados.
7. Nos reservamos el derecho de hacer cambios en nuestros productos en interés del avance técnico. Los productos mostrados también pueden tener un aspecto diferente a los productos suministrados en base a mejoras continuas.
8. La reproducción o el uso de textos, ilustraciones y fotos de este manual de instrucciones en cualquier medio - aunque sólo sea en forma de extractos - sólo se permite con nuestro consentimiento expreso y por escrito.
9. El diseño de este manual está sujeto a la protección del copyright. No asumimos ninguna responsabilidad por errores o contenidos erróneos o errores de impresión (incluso en el caso de especificaciones técnicas o en gráficos y bocetos técnicos).
10. Nuestros productos cumplen con todas las directrices técnicas, normativas eléctricas y de telecomunicaciones aplicables en Alemania, la UE y los Estados Unidos.
11. Nuestros productos y también los componentes que contienen (circuitos integrados, software, etc.) sólo pueden utilizarse para fines civiles y no militares.

Privacidad y seguridad de los datos

1. Para máxima seguridad, el dispositivo utiliza las mismas tecnologías de cifrado que se utilizan en línea, banca. Para su seguridad, tampoco se utiliza ningún reenvío de puertos o DynDNS.
2. La ubicación del centro de datos para el acceso remoto a través de Internet por medio de una aplicación es obligatoria en la UE si la dirección IP de Internet determinada del dispositivo se encuentra en la UE. El centro de datos funciona de acuerdo con las normas de seguridad más estrictas.
3. El vídeo, el audio y cualquier otro método de vigilancia pueden ser regulados por leyes que varían de un país a otro. Compruebe las leyes de su región local antes de instalar y utilizar este dispositivo con fines de vigilancia. Si el dispositivo es una puerta, estación interior o cámara fotográfica:
 - En muchos países la señal de vídeo sólo puede ser transmitida una vez que el visitante ha tocado la campana (privacidad de los datos, configurable en la aplicación)
 - Realice el montaje de tal manera que el alcance de detección de la cámara limite el alcance de la cámara exclusivamente a la zona de entrada inmediata.
 - El dispositivo puede venir con un historial de visitas y sensor de movimiento. Puede activar/desactivar esta función si es necesario.

En caso necesario, indíquese la presencia del dispositivo en un lugar adecuado y de forma adecuada.

Observe las disposiciones legales específicas de cada país sobre el uso de componentes de vigilancia y cámaras de vigilancia aplicables en el lugar de instalación.

Por favor, verifique que el propietario y la comunidad de viviendas estén de acuerdo de instalar y usar este producto. Bird Home Automation GmbH no se hace responsable por cualquier uso inapropiado a este producto, incluyendo la apertura no autorizada de una puerta.

Las actualizaciones del software o del sistema operativo (las llamadas „actualizaciones de firmware“) normalmente se instalan automáticamente en los productos de Bird Home Automation GmbH a través de Internet, si es técnicamente posible. Las actualizaciones automáticas de firmware mantienen actualizado el software de los productos para que siempre funcionen de forma fiable, segura y eficiente. Mediante un desarrollo continuo, las funciones pueden añadirse, ampliarse o modificarse ligeramente. Normalmente, sólo se producirán cambios o limitaciones importantes en las funciones existentes si Bird Home Automation GmbH lo considera necesario (por ejemplo, por razones de protección de datos, seguridad, estabilidad de datos o para mantenerlos actualizados). Cuando se dispone de una actualización del firmware, los servidores de Bird Home Automation GmbH normalmente lo distribuyen automáticamente

a todos los productos compatibles conectados a Internet o a los servidores de Bird Home Automation GmbH. Este proceso es gradual y puede durar varias semanas. Tan pronto como un producto recibe una actualización de firmware, se instala y se reinicia el sistema. Las actualizaciones del firmware instalado no se pueden desinstalar. Dado que los productos y el software de Bird Home Automation GmbH no son explícitamente productos específicos del cliente, un cliente no puede negar una actualización automática si el producto está conectado a Internet o al servidor de Bird Home Automation GmbH.

Editoriales

Bird Home Automation GmbH
Umlandstraße 165
10719 Berlin
Alemania

Web: www.doorbird.com
Email: hello@doorbird.com

Es posible que estas instrucciones contengan errores tipográficos o problemas de impresión. No obstante, el contenido de estas instrucciones se comprueba de manera periódica y las correcciones se implementan en la siguiente edición. No asumimos ninguna responsabilidad por fallos de carácter técnico o tipográfico y sus consecuencias.

ISTRUZIONI PER L'INSTALLAZIONE

Prima di mettere in funzione i componenti leggere attentamente le presenti istruzioni. Conservare le istruzioni per eventuali consultazioni future.

Nel caso in cui il dispositivo venga ceduto ad altri è necessario fornire anche queste istruzioni a corredo. La versione più aggiornata delle istruzioni per l'installazione è disponibile alla pagina www.doorbird.com/support

Al fine di semplificare, il termine "dispositivo" indica il prodotto "Controllore Porta D410", mentre "dispositivo mobile" è riferito a uno smartphone o tablet.

Responsabilità

Il presente documento è stato predisposto con la massima cura. In caso di imprecisioni o omissioni invitiamo a informare Bird Home Automation GmbH.

Bird Home Automation GmbH non risponde di eventuali errori tipografici e si riserva di apportare modifiche al prodotto o ai manuali senza preavviso. Bird Home Automation GmbH declina qualsiasi garanzia circa i materiali contenuti nel presente documento, comprese, a titolo esemplificativo ma non esaustivo, le garanzie implicite di commerciabilità e idoneità per un determinato impiego. Bird Home Automation GmbH non risponde di eventuali danni secondari o conseguenti verificatisi nel contesto della messa a disposizione, esecuzione o dell'uso dei presenti materiali. È consentito utilizzare il dispositivo solo per la destinazione d'uso prevista.

Modifiche del dispositivo

Questo dispositivo deve essere installato e utilizzato conformemente alle indicazioni riportate nel manuale di installazione. Questo dispositivo non include componenti la cui manutenzione è a cura dell'utilizzatore. Qualsiasi modifica o intervento sul dispositivo comporta il venire meno di tutte le certificazioni e omologazioni applicabili.

Simboli utilizzati



Attenzione: Segnala una situazione di pericolo che, se non evitata, comporta il decesso o comunque lesioni gravi.



Avvertenza: Segnala una situazione di pericolo che, se non evitata, può comportare il decesso o comunque lesioni gravi.



Prudenza: Segnala una situazione di pericolo che, se non evitata, potrebbe comportare lesioni di lieve o media entità.



Da tenere in considerazione: Segnala una situazione di pericolo che, se non evitata, potrebbe comportare lesioni di lieve o media entità.



Importante: Segnala importanti informazioni che garantiscono il corretto funzionamento del prodotto.



Nota: Segnala informazioni utili volte a un impiego ottimale del dispositivo.

Indicazioni di pericolo



AVVERTENZA

- L'integrazione, il montaggio e i lavori di manutenzione su apparecchi elettrici vanno effettuati a cura di un tecnico qualificato. Il mancato rispetto delle avvertenze potrebbe compromettere gravemente la salute o comportare un pericolo mortale dovuto a scosse elettriche.
- Dispositivi alimentati a 110-240 V: è consentito collegare il dispositivo solo a una presa di rete facilmente accessibile. In caso di pericolo è necessario staccare la spina.
- Per l'alimentazione elettrica del dispositivo utilizzare esclusivamente l'adattatore originale fornito a corredo o uno degli interruttori o iniettori PoE raccomandati nelle istruzioni (sempre che il modello supporti PoE).
- In caso di contatto diretto con il circuito stampato, la carica elettrostatica potrebbe causare la distruzione del dispositivo. Evitare pertanto di sfiorare in qualsiasi momento il circuito stampato.
- Effettuare qualsiasi operazione in conformità alle norme EN 60065, EN 60950 o EN 62368.
- Non utilizzare un dispositivo che presenti palesi danneggiamenti, ad es. in corrispondenza del corpo esterno, degli elementi di comando o delle bussole di collegamento, o anomalie di funzionamento. In caso di dubbi far controllare il dispositivo da un tecnico autorizzato.
- Importante: evitare di aprire il dispositivo, in quanto verrebbe meno il diritto alle prestazioni in garanzia! L'azienda declina ogni responsabilità per gli eventuali danni conseguenti. Il dispositivo non contiene parti la cui manutenzione è a cura dell'utilizzatore. In caso di anomalie far controllare il dispositivo da un tecnico autorizzato.
- Per ragioni di sicurezza, omologazioni e licenza (CE/FCC/IC ecc.) è vietato riadattare o modificare il dispositivo in autonomia.
- Questo dispositivo non è un giocattolo! Non deve essere utilizzato dai bambini. Non abbandonare i materiali di imballo incustoditi. Le pellicole o le buste di plastica e i pezzi in polistirolo possono costituire un pericolo per i bambini.
- Il dispositivo non è un giocattolo: non permettere a neonati e bambini di giocare con esso.
- Per evitare il pericolo di soffocamento, tenere i materiali di imballaggio lontano da neonati e bambini. Pellicole/sacchetti di plastica, pezzi di polistirolo, ecc. non sono un giocattolo e possono essere pericolosi nelle mani di un bambino. Gettare qualsiasi materiale d'imballaggio immediatamente dopo aver

rimosso il prodotto. Non riutilizzare i materiali d'imballaggio.

- Posare i cavi in modo che non costituiscano un pericolo per le persone e gli animali domestici.
- Alcune parti del dispositivo sono sotto tensione. Evitare pertanto di toccare le parti non interessate dall'installazione, dal cablaggio o dal collegamento, fatto che potrebbe causare scosse elettriche.
- Tenere i dispositivi contrassegnati come non resistenti alle intemperie al riparo dall'acqua o altri liquidi.
- Evitare di eseguire installazioni o collegamenti con l'alimentazione elettrica attivata, per prevenire possibili danni al dispositivo o scosse elettriche.
- Prima di riattivare l'alimentazione elettrica accertarsi che i cavi non siano incrociati o in cortocircuito, fatto che potrebbe causare incendi o scosse elettriche.
- L'interno del dispositivo potrebbe essere sotto alta tensione. Importante: evitare di aprire il dispositivo, fatto che potrebbe causare scosse elettriche.
- Il dispositivo non è dotato di protezione antiesplorazione. Evitare pertanto di installarlo e utilizzarlo nelle vicinanze di gas o materiali combustibili, fatto che potrebbe causare incendi o esplosioni.
- Non installare due alimentazioni elettriche in parallelo a un unico ingresso, fatto che potrebbe causare incendi o il danneggiamento del dispositivo. Fare attenzione a collegare al dispositivo un solo adattatore
- Evitare di collegare direttamente il dispositivo a una presa elettrica, fatto che potrebbe causare incendi o scosse elettriche.
- Accertarsi che il cavo di rete non sia danneggiato o schiacciato. Un cavo di rete rotto potrebbe causare un incendio o una scarica elettrica.
- Evitare di collegare o staccare il dispositivo dalla rete con le mani bagnate, fatto che potrebbe causare scosse elettriche.
- Non introdurre nel dispositivo metalli o materiali combustibili, per evitare fiamme, scosse elettriche o guasti.
- I cablaggi già realizzati, il cablaggio della suoneria alla porta, ecc. possono presentare corrente alternata ad alta tensione. Si potrebbero verificare danni al dispositivo o scosse elettriche. Il cablaggio e l'installazione devono essere effettuati da un elettricista qualificato.
- Montaggio del dispositivo a parete o soffitto: evitare l'installazione in luoghi che potrebbero esporre il dispositivo a colpi o urti.
- I dispositivi provvisti di morsetti di terra vanno collegati a terra; in caso contrario si potrebbero verificare incendi o guasti.
- Evitare di esercitare eccessiva pressione sui

dispositivi che contengono parti in vetro o plexiglass, in quanto l'eventuale rottura potrebbe causare lesioni.

- Per i dispositivi che integrano un display LCD, in caso di rottura evitare il contatto con i cristalli liquidi, fatto che potrebbe comportare lesioni. All'occorrenza sciacquare bene la bocca, gli occhi o la pelle con acqua corrente per almeno 15 minuti e consultare un medico.
- Evitare di depositare oggetti sul dispositivo o di coprirlo con panni, silicone, colla, colore, protezioni a parte, ecc., per evitare lo sprigionarsi di fiamma o guasti.
- Evitare di installare il dispositivo nei luoghi di seguito indicati; in caso contrario sussiste il rischio di incendio, scosse elettriche o guasti.
- Luoghi esposti alla luce diretta del sole o nelle vicinanze di apparecchi di riscaldamento a temperatura variabile.
- Luoghi con presenza di polvere, olio, sostanze chimiche, acido solfidrico (sorgenti di acqua calda).
- Luoghi soggetti a umidità estrema, anche dell'aria, come bagni, cantine, serre, ecc.
- Luoghi a bassissime temperature come ad es. in aree refrigerate o in prossimità di un climatizzatore.
- Luoghi esposti a vapore o fumo (ad es. nelle vicinanze di superfici riscaldate o piani cottura).
- Luoghi nelle immediate vicinanze di dispositivi che generano rumore quali dimmer o elettrodomestici con inverter incorporato.
- Luoghi esposti a frequenti vibrazioni o urti.
- Nel caso dei dispositivi con citofono è necessario effettuare un test di chiamata con ambedue i citofoni a basso volume. Infatti, una chiamata improvvisa, inaspettata, ecc. potrebbe danneggiare l'udito.
- In caso di anomalie di funzionamento staccare la spina del dispositivo dalla presa.
- I dispositivi contrassegnati come non resistenti alle intemperie sono stati progettati per l'esclusivo uso in interni e non all'aperto.
- Evitare di nebulizzare con acqua ad alta pressione i dispositivi contrassegnati come non resistenti alle intemperie, fatto che potrebbe comportare guasti.
- L'azienda declina qualsiasi responsabilità in caso di danni materiali o a persone imputabili a uso non conforme o al mancato rispetto delle avvertenze di sicurezza. In tali casi viene meno il diritto alle prestazioni in garanzia. L'azienda declina ogni responsabilità per eventuali danni conseguenti.
- Per dispositivi forniti con un alimentatore: In conformità all'Art.33 del regolamento REACH (Regolamento (CE) n.1907/2006) le informiamo che il contatto metallico del perno della spina dell'adattatore di rete contiene una concentrazione superiore al 0,1% della sostanza

elencata dal Regolamento REACH con numero EC/elenco n.: 231-100-4 (piombo). In condizioni d'uso previste, non sono necessarie misure aggiuntive per garantire una sicura utilizzazione del prodotto a causa della concentrazione di piombo.

Istruzioni di sicurezza



- Il dispositivo va utilizzato nel rispetto delle norme di legge vigenti in loco.
- Immagazzinare il dispositivo in un luogo aerato e asciutto.
- Evitare di esporre il dispositivo a urti o eccessiva pressione.
- Evitare di installare il dispositivo su supporti, superfici o pareti instabili. Accertarsi che il materiale su cui si va a installare il dispositivo sia sufficientemente resistente per reggere il peso del dispositivo.
- Per installare il dispositivo servirsi unicamente di utensili idonei. Esercitare una forza eccessiva con gli utensili potrebbe danneggiare il dispositivo.
- Evitare l'uso di detergenti chimici, corrosivi o aerosol.
- Pulire il dispositivo con un panno pulito e asciutto.
- Utilizzare unicamente accessori corrispondenti ai dati tecnici del dispositivo, disponibili presso Bird Home Automation GmbH.
- Utilizzare unicamente ricambi forniti o raccomandati da Bird Home Automation GmbH.
- Non tentare di riparare il dispositivo in autonomia. Per la manutenzione o eventuali riparazioni contattare Bird Home Automation GmbH.
- Tenere il dispositivo a una distanza di oltre 1 m (3,3") da forni a microonde, apparecchi TV, router WiFi e altri apparecchi wireless.
- Nel caso dei dispositivi con citofono, con altoparlante o microfono incorporati o funzione di trasmissione segnale, installare i fili a oltre 30 cm (12") di distanza dal cablaggio da 100-240 V in corrente alternata. In caso contrario si potrebbero verificare rumori e/o disturbi dei dispositivi indotti dalla corrente alternata.
- Installare il dispositivo in una zona accessibile che consenta ispezioni, eventuali riparazioni e interventi di manutenzione futuri.
- Se utilizzato in prossimità di un telefono mobile, sul dispositivo si potrebbero verificare interferenze.
- Se lasciato cadere, il dispositivo potrebbe riportare danni. Maneggiare con cura.
- In assenza di corrente il dispositivo smette di funzionare.

- Nel caso dei dispositivi con citofono o con altoparlante o microfono incorporati, in presenza di antenne di trasmettitori, radio mobili, radio e televisori accesi, il funzionamento potrebbe presentare delle anomalie.
- Nel caso dei dispositivi dotati di schermo LCD si segnala fin d'ora che inevitabilmente su tale schermo, sebbene prodotto utilizzando tecnologie di alta precisione, una minima parte degli elementi immagine non sempre sarà illuminata o non illuminata del tutto. Questo non è da considerarsi un difetto del dispositivo.
- Nel caso dei dispositivi con citofono, i rumori circostanti potrebbero influire sulla comunicazione. Questo non è da considerarsi un malfunzionamento.
- Nel caso dei dispositivi con nome utente/ password, l'utente è unico responsabile dell'accesso al dispositivo tramite dette credenziali. Accertarsi di utilizzare una password non troppo semplice da indovinare. Consigliamo di modificare la password a intervalli regolari.
- L'azienda non risponde di qualsivoglia danno dovuto a problemi dell'alimentazione elettrica, di guasti dei dispositivi di rete o dispositivi mobili, del mancato funzionamento causa guasti dei gestori della rete internet o mobile, di guasti dovuti a cavi recisi o disturbati e di altri casi di mancata trasmissione che non consentano l'erogazione del nostro servizio; non si risponde inoltre di qualsiasi altra causa non imputabile alla nostra azienda, né di eventuali errori o dati mancanti in fase di trasmissione.

Trasporto



Se necessario, il dispositivo va trasportato all'interno della confezione originale o comunque con un imballo atto a prevenire danneggiamenti.

Garanzia

Per informazioni sulla garanzia invitiamo a consultare la pagina www.doorbird.com/warranty



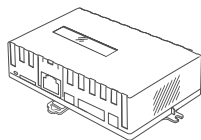
Informazioni sullo smaltimento di apparecchi elettrici ed elettronici (a uso privato)

Questo simbolo, riportato sui prodotti o sulla documentazione a corredo, segnala che gli apparecchi elettrici o elettronici non possono essere smaltiti insieme ai comuni rifiuti domestici. Invitiamo a conferire tali prodotti presso gli appositi ecocentri, che li prenderanno in carico gratuitamente provvedendo al corretto smaltimento o riciclo. In alternativa, in alcuni Paesi, a fronte dell'acquisto di un nuovo prodotto equivalente, è possibile rendere al rivenditore di zona l'apparecchio usato. Lo smaltimento conforme di questo prodotto contribuisce a risparmiare materie prime preziose, evitando gli effetti negativi sulla salute e sull'ambiente causati da uno smaltimento non conforme. Le autorità locali forniscono tutte le informazioni relative all'ecocentro competente più vicino. In funzione delle norme di legge vigenti nel rispettivo Paese, lo smaltimento non conforme di tali rifiuti può comportare l'applicazione di sanzioni.

Informazioni sullo smaltimento in Paesi al di fuori dell'Unione Europea

Questo simbolo è valido solo nell'Unione Europea. Qualora si desideri gettare questo dispositivo, contattare l'autorità competente o il rivenditore del rispettivo Paese per ottenere informazioni sullo smaltimento conforme.

COMPONENTI*



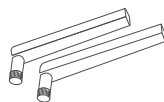
1 Controllore Porta D410



1 manuale di
installazione



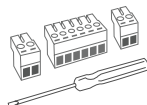
1 guida rapida con
passaporto digitale



2 antenne LTE/4G



1 alimentatore (adattatore di rete) con fino a
quattro adattatori specifici per diversi paesi



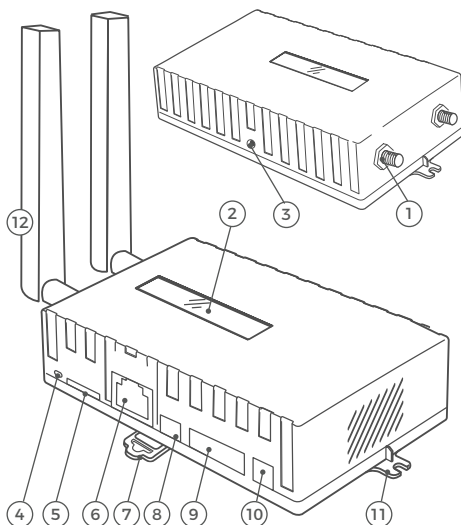
3 morsetti a vite e
1 cacciavite



2 viti Phillips a testa
svasata e relativi
tasselli

DISPOSITIVO

- 1) antenne
2 connettori SMA per antenne LTE/4G
- 2) display LCD per messaggi di stato
Display LCD blu retroilluminato per messaggi di
stato e analisi rapida degli errori
- 3) pulsante Setup SET
Pulsante per impostare il dispositivo in diverse
modalità di configurazione, ad es. per ripristinare
le impostazioni di fabbrica.
- 4) LED PWR
LED di alimentazione e diagnostica indicante lo
stato corrente del dispositivo.
- 5) Slot per la SIM card
Slot per micro SIM (card non compresa nella
fornitura)
- 6) LAN/PoE
In caso di non utilizzo della rete mobile LTE/4G:
jack RJ45 per collegare un cavo di rete (cat.5 o
superiore) al segmento di rete connesso allo
switch/router che fornisce una connessione
internet attiva. Utilizzare questa porta per
alimentare il dispositivo via PoE in alternativa
all'alimentatore.
- 7) Connettore per guida DIN
Collegamento per la clip di montaggio della guida
DIN
- 8) E1 E1
Morsetto a vite per collegare un
ingresso esterno
- 9) R1R1 / R2 R2 / R3 R3
Morsetto a vite per il collegamento a tre relè
bistabili a ritenuta (max. 24 V DC/AC, 1A)



- 10) Alimentazione 15 V DC \pm 1 A
Morsetto a vite per collegare un alimentatore
DoorBird (acquistabile a parte) al dispositivo,
in alternativa a PoE.
- 11) Staffe per montaggio a muro
Supporto per montaggio a muro. Viti e tasselli
sono forniti in dotazione.
- 12) antenne LTE/4G

VIDEO

Serve aiuto per l'installazione? È possibile consultare i nostri video di installazione alla pagina <http://www.doorbird.com/support>

INSTALLAZIONE

I passaggi di seguito riportati vanno eseguiti da un adulto esperto, nel pieno rispetto delle norme di sicurezza applicabili. Invitiamo a contattare direttamente la nostra azienda o a chiedere supporto a uno specialista.



Accertarsi che tutti i fili utilizzati per l'installazione siano intatti sull'intera lunghezza e omologati per questo tipo di applicazione.

1

DISATTIVAZIONE DELL'ALIMENTAZIONE



Disattivare l'alimentazione di tutti i cavi che conducono alla sede di assemblaggio, come ad esempio il campanello della porta, l'apriporta elettrico, l'alimentatore per il videocitofono, ecc.

3

MONTAGGIO DEL DISPOSITIVO

Per il montaggio a muro utilizzare l'apposita staffa, le viti e i tasselli forniti a corredo oppure la guida DIN con relativo adattatore in dotazione.

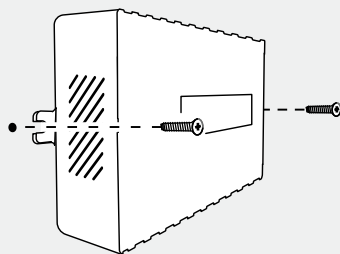
Opzione 1

MONTAGGIO A MURO



Nel predisporre i fori fare attenzione a non urtare elementi già presenti (ad es. cavi).

Se il muro dell'edificio non è in legno, predisporre fori per tasselli di 5 mm di diametro e a seguire inserire i tasselli forniti a corredo. Se invece il muro è in legno i tasselli solitamente non servono. Esistono speciali tasselli per fissare il dispositivo su muri isolanti, tra cui i tasselli isolanti Fischer. Contattare il produttore del rispettivo materiale isolante per ricevere indicazioni sui tasselli da utilizzare.



Velocità di rete e componenti di rete

Verificare che la velocità di upload della connessione Internet sia pari ad almeno 0,5 Mbps. L'esperienza più o meno positiva dell'utilizzatore è direttamente proporzionale alla velocità, stabilità e qualità dei componenti di rete, tra cui il router, i punti di accesso e i ripetitori WiFi. Accertarsi inoltre che i componenti di rete risalgano non oltre a due anni precedenti, siano prodotti da un'azienda rinomata e dotati del firmware più recente.

Nel caso tali requisiti non siano soddisfatti, potrebbero verificarsi scarse prestazioni audio o video e ritardi o totale assenza delle notifiche push su smartphone o tablet.

Requisiti

Internet ad alta velocità (via linea fissa): ADSL, cavo o fibra ottica

Rete: Ethernet con DHCP

2

INDIVIDUAZIONE DELLA SEDE DI MONTAGGIO



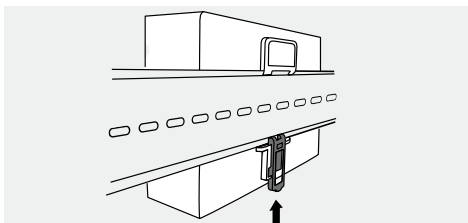
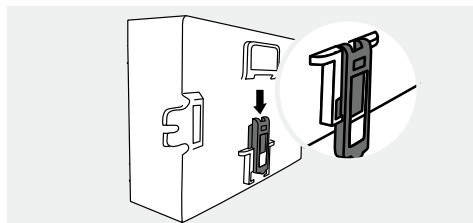
Il dispositivo è certificato IP30 (non impermeabile). Se si prevede di utilizzare il dispositivo all'esterno, predisporre per l'installazione un alloggiamento idoneo che non interferisca con le onde radio.

La lunghezza massima del cavo di rete posto tra dispositivo e switch PoE/iniettore Poe/router Internet è di 80 metri/262 piedi.

Opzione 2

MONTAGGIO SU GUIDA DIN

È possibile montare il dispositivo su una guida DIN. A tale scopo fissare l'apposito adattatore sul retro del dispositivo.



4

ALIMENTAZIONE ELETTRICA

È possibile alimentare il dispositivo via PoE (Power over Ethernet) o con alimentatori DoorBird acquistabili a parte (alimentatore per fissaggio a muro o guida DIN). Il dispositivo non necessita di alimentazione a batteria.



Prima di mettere in servizio il controller D410 DoorBird disattivare l'alimentazione dei restanti dispositivi DoorBird in rete.

Opzione 1 (rete via LTE/4G)

ALIMENTAZIONE CON ALIMENTATORE



Per alimentare il dispositivo tramite un adattatore di rete sono necessari 2 fili isolati.

NOTICE Non collegare subito l'alimentatore alla presa a muro. Utilizzare unicamente l'alimentatore fornito con il dispositivo o l'alimentatore per guida DIN acquistabile a parte, che sono stabilizzati in modo mirato per tale scopo e integrano un dispositivo atto a ridurre le interferenze audio. Gli alimentatori di altre marche potrebbero danneggiare irreversibilmente il dispositivo o comportare una scarsa qualità della trasmissione.

Opzione 2 (rete via LTE/4G)

SOLUZIONE CON ALIMENTATORE PER GUIDA DIN (ACQUISTABILE NELLO SHOP DOORBIRD)



Il nostro shop online propone alimentatori per guida DIN, da installarsi a cura di un tecnico specializzato.

Opzione 3 (rete via Ethernet)

ALIMENTAZIONE ELETTRICA VIA INIETTORE POE (POWER OVER ETHERNET) O SWITCH



Per alimentare il dispositivo tramite uno switch PoE (ad es. D-Link DGS-1008P) o un iniettore PoE (ad es. il modello DoorBird Gigabit PoE Injector A1093) in conformità alla norma IEEE 802.3af Mode A, è necessario utilizzare i quattro fili di un cavo di categoria 5 o superiore, contrassegnati con le cifre 1,2,3 e 6. È necessario utilizzare un cavo di rete di categoria 5 o superiore, di alta qualità e adeguatamente schermato S/FTP o SFTP (Screened Foiled Twisted Pair), collegando la schermatura alla schermatura metallica esterna del connettore RJ45 (8P8C). Se si opta per l'alimentazione via PoE, i relativi quattro fili realizzano allo stesso tempo il collegamento dati.

Se lo switch/l'iniettore PoE non supportano lo standard PoE IEEE 802.3af Mode A, il dispositivo non inizierà a funzionare (vedi LED PWR).



1. Staccare lo switch o l'iniettore PoE dalla rete elettrica.
2. Posare il cavo di rete verso il punto di installazione del dispositivo.

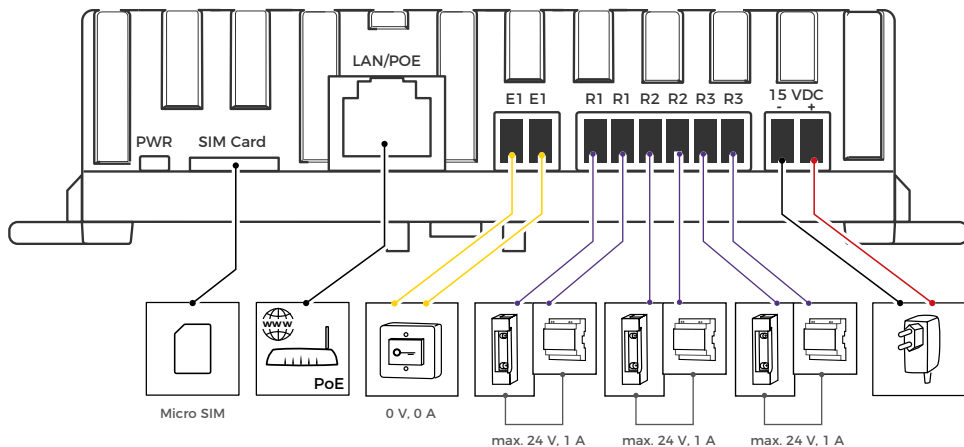
Per ulteriori informazioni sulla soluzione PoE invitiamo a consultare la pagina <http://www.doorbird.com/poe>



In caso di connessione Internet LTE/4G non è possibile alimentare il dispositivo via PoE.

I cavi e i fili del dispositivo si possono collegare in tutta praticità e sicurezza utilizzando l'apposito morsetto a vite contrassegnato. Ora è possibile collegare al dispositivo tutti i cavi e fili necessari.

NOTICE Si raccomanda di rimuovere dalle porte di collegamento del dispositivo tutti i cavi e fili non necessari.



PORTA	DESCRIZIONE
SIM Card	Slot per micro SIM (card non compresa nella fornitura) Inserire la micro SIM nell'apposito slot, con i contatti color oro rivolti verso il basso.
LAN/PoE	In caso di non utilizzo della rete mobile LTE/4G: jack RJ45 per collegare un cavo di rete standard (cat.5 o superiore) proveniente dal router Internet/switch PoE/iniettore PoE (conformi alla norma PoE IEEE 802.3af o successiva). NOTICE Non alimentare il dispositivo via alimentatore + rete elettrica (adattatore di rete) e PoE contemporaneamente.
E1 E1	Ingresso esterno 1. max. 0 V DC/AC, 0 A. Queste porte si possono utilizzare per collegare un apriporta esterno. NOTICE Accertarsi di non sottoporre queste porte a ulteriore tensione.
R1 R1, R2 R2, R3 R3	Relè bistabile a ritenuta, max. 24 V DC/AC, 1 A. Funzione di sicurezza: Il relè mantiene lo stato anche in assenza di corrente. È possibile configurare lo stato di default del relè (aperto/chiuso) tramite l'app DoorBird. Queste porte si possono utilizzare per collegare ad es. un apriporta elettrico. Il dispositivo non alimenta il dispositivo collegato. L'alimentatore dell'apriporta elettrico va installato a parte.
15 VDC -	Ingresso di alimentazione a 15 VDC, polo negativo (-). Se non si intende alimentare il dispositivo via PoE, collegare il filo nero dell'alimentatore (adattatore di rete) qui. NOTICE Non alimentare il dispositivo via alimentatore + rete elettrica (adattatore di rete) e PoE contemporaneamente.
15 VDC +	Ingresso di alimentazione a 15 VDC, polo positivo (+). Se non si intende alimentare il dispositivo via PoE, collegare il filo rosso dell'alimentatore (adattatore di rete) qui. NOTICE Non alimentare il dispositivo via alimentatore + rete elettrica (adattatore di rete) e PoE contemporaneamente.



In alternativa a PoE è possibile utilizzare un alimentatore DoorBird. Gli alimentatori possono essere acquistati nel nostro shop online: (GTIN/EAN: 4260423867314, cod. art.: 423867314)



Nel collegare cavi e fili è necessario prestare massima attenzione. L'errato collegamento di cavi e fili può danneggiare il dispositivo.

6

CONNESSIONE INTERNET

Opzione 1

SIM CARD LTE/4G: CONNESSIONE INTERNET VIA RETE MOBILE LTE/4G



Accertarsi di quanto segue:

- che la Micro SIM supporti come almeno la connessione LTE/4G o WCDMA/3G e Internet;
- Il vostro provider supporta i dispositivi IoT. Si consiglia una SIM solo dati (At&T e T-Mobile solo schede Sim dati).
- che il dispositivo sia installato in un'area coperta dal rispettivo gestore della rete mobile;
- che la SIM disponga di sufficiente credito/traffico dati (si raccomanda 1 GB al mese);
- di disporre del PIN di accesso della SIM;
- che le antenne LTE/4G siano state montate sul dispositivo;
- di aver modificato il PIN della SIM per la configurazione iniziale in "0000";
- di aver inserito la micro SIM nello slot, con i contatti color oro rivolti verso il basso.

Preparazione della SIM card:

Esistono due modi di configurare il PIN della SIM.

1a) Modificare il PIN in "0000"

Per la configurazione iniziale del dispositivo D410, impostare il PIN della scheda SIM su "0000". Per modificare il PIN della scheda SIM è possibile utilizzare, ad esempio, uno smartphone. Inserire a seguire la micro SIM nell'apposito slot del dispositivo D410, con i contatti color oro rivolti verso il basso.

1b) Impostazione PIN della SIM card via LAN o app DoorBird

Stabilire la connessione Internet via cavo di rete (vedi opzione 2) e seguire i passaggi descritti. Successivamente aprire l'app DoorBird, andare su → → "Gestione" ed effettuare l'accesso all'area per impostare il PIN della SIM.



Per motivi di sicurezza raccomandiamo di modificare il PIN subito dopo aver effettuato la configurazione iniziale del controller D410.



Per prevenire il blocco della SIM, il dispositivo esegue una prima verifica del codice PIN. Per ripetere la verifica del codice PIN della SIM, premere e mantenere premuto il tasto SET per 5 secondi e seguire le istruzioni visualizzate sullo schermo.

Messaggi SMS

Gli SMS in ingresso saranno inoltrati all'indirizzo mail fornito in fase di registrazione dell'app DoorBird.

Connessioni in roaming

Se si desiderano evitare le connessioni in roaming, contattare il rispettivo operatore per bloccare il roaming per la rispettiva SIM card.

Opzione 2

LAN: CONNESSIONE INTERNET VIA RETE LOCALE K



Accertarsi di quanto segue:

- che il cavo di rete abbia accesso a Internet;
- che il cavo di rete garantisca la connessione PoE conforme allo standard IEEE 802.3af o successivo (necessario SOLO nel caso NON si utilizzi l'alimentatore);
- che la rete fornisca un indirizzo IP (DHCP), ad es. via router Internet.

Collegare il dispositivo al proprio cavo di rete allacciato al router Internet dalla porta "LAN/PoE".

7

ATTIVAZIONE DEL DISPOSITIVO

Attivare l'alimentazione verso la sede di montaggio.

Nel caso si utilizzi l'alimentatore (adattatore di rete), questo va collegato a una presa a parete. Se si alimenta il dispositivo via PoE, accertarsi di attivare l'alimentazione dello switch PoE/iniettore PoE collegato al dispositivo.

NOTICE Non alimentare il dispositivo via alimentatore + rete elettrica (adattatore di rete) e PoE contemporaneamente.


Per accertarsi che il dispositivo sia alimentato controllare il LED PWR, che si accende una volta che il dispositivo sarà stato collegato alla rete elettrica. Il dispositivo è operativo (processo di avvio, aggiornamenti software, ecc.) una volta che il display LCD di stato segnala lo stato della rete, cosa che potrebbe richiedere fino a 5 minuti. Se il LED PWR non si accende controllare l'alimentazione elettrica. Se si utilizza un alimentatore con presa a muro anziché PoE, accertarsi di aver collegato correttamente al dispositivo i poli positivo e negativo.

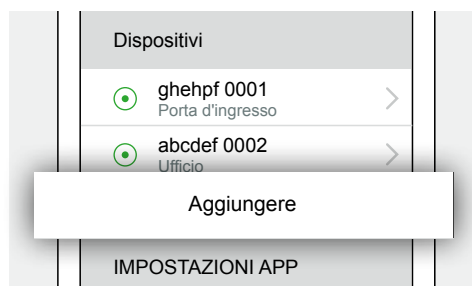
8

CONFIGURAZIONE DEL DISPOSITIVO CON L'APP DOORBIRD

Scaricare sul proprio dispositivo mobile l'app DoorBird by Bird Home Automation dall'Apple App Store o da Google Play Store. L'ultima versione aggiornata del manuale app è sempre disponibile alla pagina www.doorbird.com/support.

! Accertarsi che il dispositivo DoorBird che si intende configurare sia online: www.doorbird.com/checkonline. Se il dispositivo non è online controllare nuovamente la connessione di rete.

Una volta connesso il dispositivo a Internet, nell'app DoorBird aprire  → "Aggiungi" e cliccare sull'icona del codice QR nel campo "Utente". Scansionare il codice QR utente riportato nel "Passaporto digitale" fornito insieme al dispositivo.









LED PWR

Per accertarsi che il dispositivo sia alimentato controllare il LED PWR. Il LED PWR si accenderà circa 30-60 secondi dopo aver collegato il dispositivo alla rete elettrica e rimarrà acceso per 5 minuti. Per controllare lo stato della connessione consultare il display in alto. Se il LED PWR non si accende controllare l'alimentazione elettrica. In caso di

alimentazione via PoE accertarsi di utilizzare un dispositivo PoE compatibile (<https://www.doorbird.com/poe>). Se si utilizza un alimentatore con presa a muro anziché PoE, accertarsi di aver collegato correttamente al dispositivo i poli positivo e negativo.

DISPLAY DI STATO LCD

Connessione Internet/rete	Connessione Internet assente	Connessione Internet disponibile
	 No SIM / LAN nessuna SIM connessa	 SIM SIM connessa
via SIM card LTE/4G	 SIM Vedi passaggio 6 "Connessione Internet", opzione 1b "Impostazione PIN della SIM card via LAN o app DoorBird"	 SIM Roaming LTE/4G La SIM è connessa a un provider roaming. Per evitare tali connessioni, contattare il rispettivo operatore per bloccare il roaming per la rispettiva SIM.
via rete locale (LAN)	 No SIM / LAN nessuna LAN connessa	 LAN LAN connessa

DATI TECNICI

Dimensioni	130 x 71,40 mm x 34,20 mm (H x L x P) 5,12 x 2,81 x 1,35 pollici (H x L x P)
Alimentazione elettrica	15 V DC o Power over Ethernet (PoE IEEE 802.3 af o successivo)
Consumo energetico	2 W
Condizioni operative	Da 0 a +55 °C / Da 32 a 131 °F Umidità relativa dell'aria da 0% a 85% (non condensante)
Grado di protezione	IP 30
Montaggio	• Guida a cappello /guida DIN • Montaggio a muro
Omologazioni	CE, FCC, IC, RoHS, WEEE, UKCA
Connettori e interfaccia	• 2 connettori per antenna SMA • Slot per micro SIM (SIM non compresa nella fornitura) • Presa RJ45 per LAN/PoE (10/100 Base-T) • 3 morsetti a vite - Ingresso E1 - Relè R1, R2, R3 - (relè bistabili a ritenuta, max. 24 V DC/AC, 1A) - Ingresso 15 V DC (-/+)
Display	Display di stato LCD • Retroilluminazione (blu) • Display di stato rete LED PWR

LTE/4G	<p>Quectel LTE EM05-G category 4</p> <ul style="list-style-type: none"> • Banda FDD B1/B2/B3/B4/B5/B7/B8/B12/B13/B14/ B18/B19/B20/B25/B26/B28/B66/B71 • Banda TDD B38/B39/B40/B41 • Banda WCDMA B1/B2/B4/B5/B6/B8/B19 • Micro SIM che supporti almeno la rete LTE/4G e Internet <p>Testato per la EU, Norvegia, Svizzera, America del Nord (At&T e T-Mobile solo schede Sim dati).</p>
Bluetooth	<p>Bluetooth 5.0 2,4 GHz (Compatibile con il telecomando keyfob Bluetooth A8007)</p> <p>Dispositivo mobile: ultima versione iOS su iPhone/iPad, ultima versione Android su smartphone/tablet</p> <p>Internet LTE/4G: Micro SIM per LTE/4G o WCDMA/3G e navigazione in Internet. Sufficiente credito/traffico dati (si raccomanda 1 GB al mese). Il vostro provider supporta i dispositivi IoT. Si consiglia una SIM solo dati. USA: At&T e T-Mobile solo schede Sim dati Il dispositivo si trova in un'area coperta dal rispettivo gestore di rete mobile</p>
Requisiti di sistema	<p>Internet LAN (nel caso non si utilizzi una rete mobile LTE/4G): Rete Ethernet con DHCP. Linea fissa ad alta velocità, connessione Internet a banda larga, DSL, cavo o fibra, non server SOCKS o proxy.</p> <p>Ampliabile con Controller IP I/O per porte A1081</p>

Peso	222 g
Codice EAN	4260423898257

INFORMATIVA LEGALE

Generalità

1. DoorBird è un marchio registrato della società Bird Home Automation GmbH.
2. Apple, il logo Apple, Mac, Mac OS, Macintosh, iPad, Multi-Touch, iOS, iPhone e iPod touch sono marchi di Apple Inc.
3. Google, Android e Google Play sono marchi di Google, Inc.
4. Il marchio denominativo e i loghi Bluetooth® sono marchi di Bluetooth SIG, Inc.
5. Tutte le altre denominazioni aziendali e di prodotti possono essere marchi delle rispettive aziende a cui vengono associati.
6. Ci riserviamo il diritto di modificare i nostri prodotti ai fini dell'ulteriore sviluppo tecnologico. I prodotti raffigurati possono differire nell'aspetto da quelli consegnati in virtù del loro costante sviluppo.
7. La riproduzione o l'estrazione anche parziale di testi, immagini e fotografie in qualsivoglia media tratti dalle presenti istruzioni necessita espressamente della nostra previa autorizzazione scritta.
8. La realizzazione delle presenti istruzioni è soggetta al diritto d'autore. Decliniamo ogni responsabilità per eventuali errori nonché inesattezze nei contenuti o refusi (anche per quanto riguarda i dati tecnici o all'interno di grafici o disegni tecnici).
9. I nostri prodotti rispettano le direttive tecniche nonché le disposizioni elettriche e in materia di telecomunicazioni in vigore in Germania, nella UE e negli USA.
10. I nostri prodotti e rispettivi componenti (IC, software, ecc.) possono essere utilizzati esclusivamente per finalità civili, non militari.

Protezione e sicurezza dei dati

1. Al fine di garantire massima sicurezza, il dispositivo utilizza le stesse tecnologie di cifratura in uso nell'ambito dell'online banking. Per la sicurezza dell'utenza non viene fatto uso del port forwarding o del DynDNS.
2. La sede del centro di calcolo per l'accesso remoto tramite app online è tassativamente nella UE se l'indirizzo IP del dispositivo rilevato ha sede in Unione europea. Il centro di calcolo viene gestito secondo le norme di sicurezza più severe.
3. I metodi di monitoraggio, tra cui quelli video e audio, possono essere regolamentati da leggi che variano in funzione del Paese di installazione. Prima di installare e utilizzare l'apparecchio per scopi di monitoraggio invitiamo pertanto a verificare le leggi vigenti nel rispettivo Paese.

Se il dispositivo è un citofono da esterni, un citofono da interni o un videocitofono:

- in molti Paesi le immagini video e l'audio possono essere trasmessi solo dopo che il visitatore ha suonato il campanello (protezione dei dati, configurabile nell'app);
- effettuare il montaggio in modo tale che l'area di registrazione della videocamera sia limitata esclusivamente alla zona immediatamente circostante l'ingresso.
- Il dispositivo dispone all'occorrenza di una cronologia dei visitatori e di un sensore di movimento. Se necessario, è possibile attivare/disattivare queste funzioni.

Invitiamo a informarsi presso il proprietario e il condominio se è consentito installare e utilizzare questo prodotto. Bird Home Automation GmbH declina qualsiasi responsabilità per l'uso improprio o la configurazione errata del prodotto, ivi compresa l'apertura indesiderata di una porta.

Bird Home Automation non può essere ritenuta responsabile per danni derivanti da installazioni improprie, già esistenti o recenti. In caso di necessità, segnalare la presenza del dispositivo in modo adeguato nel punto più opportuno.

Rispettare tutte le normative locali applicabili al luogo dell'installazione in materia di utilizzo dei componenti e videocamere di sorveglianza.

Gli aggiornamenti software o del sistema operativo (i cosiddetti "aggiornamenti del firmware") dei prodotti Bird Home Automation GmbH vengono solitamente effettuati in automatico, ove tecnicamente possibile, via connessione Internet. Attraverso gli aggiornamenti automatici del firmware, il software dei prodotti viene aggiornato all'ultima versione per garantire un funzionamento sempre affidabile, sicuro e performante. Grazie al costante lavoro di sviluppo, è possibile che alcune funzioni vengano aggiunte in un secondo momento, ampliate o lievemente modificate. Bird Home Automation GmbH provvede di norma ad apportare modifiche di notevole entità o a limitare funzioni già presenti solo qualora lo ritenga necessario (ad esempio per salvaguardare la sicurezza e la tutela dei dati, per garantire maggiore stabilità o per tenerle aggiornate allo

stato della tecnica). Solitamente, se è disponibile un aggiornamento del firmware, i server di Bird Home Automation GmbH lo trasmettono automaticamente a tutti i prodotti compatibili collegati a Internet o al server di Bird Home Automation GmbH. Questo processo avviene per gradi e può richiedere diverse settimane. Quando un prodotto riceve l'aggiornamento del firmware, lo installa e solitamente si riavvia. Gli aggiornamenti del firmware già installati sono irrevocabili. Dal momento che i prodotti e il software di Bird Home Automation GmbH non sono realizzati espressamente su misura per i clienti, un cliente non può interrompere un aggiornamento automatico se il prodotto è collegato a Internet o al server di Bird Home Automation GmbH.

Publicato da

Bird Home Automation GmbH
Uhländstraße 165
10719 Berlino
Germania
Web: www.doorbird.com
E-mail: hello@doorbird.com

Queste istruzioni potrebbero presentare difetti di stampa o refusi. È nostra cura verificare periodicamente le informazioni qui contenute e provvedere alle correzioni del caso in vista della ristampa successiva. Si declina qualsiasi responsabilità per errori di natura tecnica o di stampa ed eventuali conseguenze.

Queste istruzioni potrebbero presentare difetti di stampa o refusi. È nostra cura verificare periodicamente le informazioni qui contenute e provvedere alle correzioni del caso in vista della ristampa successiva. Si declina qualsiasi responsabilità per errori di natura tecnica o di stampa ed eventuali conseguenze.

EU DECLARATION OF CONFORMITY (DoC)

EU KONFORMITÄTSERKLÄRUNG

Manufacturer:

Hersteller:

Bird Home Automation GmbH

Uhlandstr. 165

10719 Berlin

Germany

Brand:

Marke:

DoorBird**Product:**

Produkt:

Smart Door Controller

Smart Door Controller

Type number:

Typnummer:

D410**Intended purpose:**

Verwendungszweck:

IP Access Control Device

IP Zutrittskontrollgerät

We, Bird Home Automation GmbH, declare under our sole responsibility that the above referenced product complies with the following:

Wir, die Bird Home Automation GmbH, erklären unter unserer alleinigen Verantwortung, dass das oben genannte Produkt die folgenden Anforderungen erfüllt:

Directive:

Richtlinie:

2014/53/EU Radio Equipment Directive (RED)**2011/65/EC RoHS 2 Directive****Health & Safety (Art. 3.1.a):**

Gesundheits- Sicherheitsanforderungen (Art. 3.1.a):

EN 62368-1:2020+A11:2020**EMC requirements (Art. 3.1.b):**

EMV Immunitätsanforderungen (Art. 3.1.b):

ETSI EN 301 489-1 V2.2.3 (2019-11)**ETSI EN 301 489-17 V3.2.4 (2020-09)****ETSI EN 301 489-52 V1.2.1 (2021-11)****ERM spectrum (Art. 3.2):**

ERM Spektrum (Art. 3.2):

ETSI EN 300 328 V2.2.2 (2019-07)**ETSI EN 301 908-1 V15.1.1 (2021-09)****ETSI EN 301 908-2 V13.1.1 (2020-06)****ETSI EN 301 908-1 V15.1.1 (2021-09)****ETSI EN 301 908-13 V13.2.1 (2022-02)**

The CE symbol confirms that this product conforms with the above mentioned norms and regulations.

Das CE-Zeichen bestätigt, dass dieses Produkt den oben genannten Normen und Vorschriften entspricht.

Conformity was assessed with the aid of the accessories/components that were included with delivery and described in the manual, including the current software officially approved for release. If other accessories/components are used, or current operating software not officially approved for release by Bird Home Automation GmbH, conformity with the above mentioned directives cannot be guaranteed.

Die Konformität wurde mit Hilfe des mitgelieferten und im Handbuch beschriebenen Zubehörs/Komponenten, einschließlich der aktuellen, offiziell zur Freigabe bereitgestellten Software, beurteilt. Bei Verwendung von anderem Zubehör/Komponenten oder aktueller Software, die nicht von der Bird Home Automation GmbH offiziell freigegeben wurde, kann die Konformität mit den oben genannten Richtlinien nicht garantiert werden.

This declaration is submitted by:

Diese Erklärung wird verantwortlich abgegeben durch:

Berlin, September 26th 2023

Berlin 26. September 2023

Xenios Maroudas

Director Product & Innovations

